

# Patents, Designs, and Trade Marks

## SUPPLEMENT

### TO THE

# NEW ZEALAND GAZETTE

OF

THURSDAY, JANUARY 28, 1909.

Published by Authority.

WELLINGTON, THURSDAY, JANUARY 28, 1909.

### CONTENTS.

	Page
Complete Specifications and Drawings open to Inspection .. .. .	319
International and Intercolonial Arrangements for the Mutual Protection of Patents and Trade Marks ..	320
Patent Publications in New Zealand .. .. .	320
Books and Documents open to Inspection at Patent Office, Wellington .. .. .	320
Books, Documents, &c., open to Inspection at Local Patent Offices, Auckland, Christchurch, and Dunedin .. .. .	321
Official Publications .. .. .	321
Local Patent Offices .. .. .	321
Name Index of Patents, 1861-1889 .. .. .	321
Classified Abridgments of New Zealand Inventions at Auckland, Christchurch, and Dunedin .. .. .	321
Patent Agent registered .. .. .	321
Applications for Letters Patent filed .. .. .	322
Complete Specifications filed after Provisionals .. .. .	322
Complete Specifications accepted .. .. .	323
Provisional Specifications accepted .. .. .	328
Letters Patent sealed .. .. .	328
Letters Patent on which Fees have been paid .. .. .	329
Request for Correction of Clerical Error in Application for Letters Patent .. .. .	329
Request for Correction of Clerical Error in Application for Letters Patent allowed .. .. .	329
Subsequent Proprietors of Letters Patent registered .. .. .	329
Applications for Letters Patent abandoned .. .. .	329
Applications for Letters Patent void .. .. .	329
Applications for Letters Patent lapsed .. .. .	329
Letters Patent void .. .. .	329
Designs registered .. .. .	330
Designs expired .. .. .	330
Applications for Trade Marks filed .. .. .	330
Applications for Registration of Trade Marks .. .. .	330
Trade Marks registered .. .. .	337
Subsequent Proprietors of Trade Marks registered .. .. .	337
Trade Mark Renewal Fees paid .. .. .	337
Trade Marks removed from the Register .. .. .	337

**Complete Specifications and Drawings open to Inspection at Auckland, Dunedin, and Christchurch.**

COPIES of the complete specifications and drawings advertised in the *Gazette* will be sent for public inspection to the

LOCAL PATENT OFFICES  
IN THE  
SUPREME COURT BUILDINGS

in the following towns on or about the dates mentioned:—

*Auckland.*

*Gazette* No. 7, of the 28th January. 3rd February to 17th February, inclusive.

*Dunedin.*

*Gazette* No. 7, of the 28th January. 24th February to 10th March, inclusive.

*Gazette* No. 4, of the 14th January. 10th February to 24th February, inclusive.

*Gazette* No. 105, of the 23rd December. 27th January to 10th February, inclusive.

*Christchurch.*

*Gazette* No. 7, of the 28th January. 15th March to 29th March, inclusive.

*Gazette* No. 4, of the 14th January. 1st March to 15th March, inclusive.

*Gazette* No. 105, of the 23rd December. 15th February to 1st March, inclusive.

*Gazette* No. 100, of the 10th December. 28th January to 11th February, inclusive.

[NOTE.—The office can take no responsibility if from any cause the specifications are not so available.]

**International and Intercolonial Arrangements for the Mutual Protection of Patents and Trade Marks.**

**INTERNATIONAL CONVENTION.**

**T**HE following countries now belong to the Convention:—

Australia.	Italy.
Belgium.	Japan.
Brazil.	Mexico.
Ceylon.	New Zealand.
Cuba.	Norway.
Denmark and Faroe Islands.	Portugal, with the Azores and Madeira.
Dominican Republic.	Servia.
France, with Algeria and Colonies.	Spain.
Germany.	Sweden.
Great Britain.	Switzerland.
Holland, with East Indian Colonies, Curaçoa, and Surinam.*	Tunis.
	United States of America.

\* Trade marks only.

Separate arrangements have been made between Australia and New Zealand.

Particulars of the Convention and of such arrangements may be seen in the following *Gazettes*:—

Notification of adhesion of New Zealand to the Convention, with text thereof (in English), in the *Gazette* of 26th November, 1891; notification of adherence of New Zealand to the Additional Act of the Convention, with text (in English), of such Additional Act, in Patents Supplement to *Gazette* No. 101, of the 16th November, 1905; Order in Council applying section 103 of the Imperial Act to New Zealand, in *Gazette* No. 27, of the 15th May, 1890; Orders in Council containing arrangements between Australia and New Zealand, in Patent Supplements to the *Gazette* Nos. 22 of the 9th March, 1905, and 38 of the 20th April, 1905.

**Patent Publications in New Zealand.**

**T**HE following publications relating to Patents for inventions, &c., are open to inspection in the Dominion:—

**WELLINGTON.—PATENT OFFICE LIBRARY.**

*United Kingdom.*

The full text of the specifications and complete drawings of inventions patented from the year 1617 up to the 1st October, 1908.

Classified illustrated abridgments of inventions from 1855 to 1905 and part of 1906.

Illustrated Official Journal, containing lists of recent applications, abridgments of inventions for which patents have been lately granted, patents void, &c., to December, 1908.

Index of Applicants.

Subject-matter Index.

Commissioner of Patents Journal, &c. (\*)

Trade Marks Journal to September, 1908.

*Canada.*

Patent Office Record (containing illustrated abridgments of inventions, &c.) to August, 1908.

*Australia.*

The full text of the specifications and complete drawings in respect of applications accepted from the 11th January, 1906, to the 12th May, 1908, inclusive.

The Official Journal of Patents of the Australian Commonwealth (containing lists of applications for letters patent, abridgments of complete specifications accepted, &c.).

The Australian Official Journal of Trade Marks (containing lists of applications for registration of trade marks, &c.).

Specifications, drawings, abridgments, and indexes of Victoria, New South Wales, Queensland, and South Australia (b).

*United States.*

The full text of the specifications and drawings for the years 1905 and 1906.

The Official Gazette of the United States Patent Office (containing illustrated abridgments of specifications, &c.) to December, 1908.

*Mexico.*

The Official Gazette of the Patent and Trade Mark Office.

(a) Discontinued.

(b) In arrears. Not now being printed.

*General.*

La Propriété Industrielle (the official organ of the International Bureau of the Union for the Protection of Industrial Property).

Patent laws of the world.

Patent and Trade Mark Review.

Text-books and handbooks on patents and trade marks.

**AUCKLAND.—PUBLIC LIBRARY.**

*United Kingdom.*

Classified abridgments of inventions from 1855 to 1904.  
Illustrated Official Journal from 1897 to date.

*Canada.*

Patent Office Record (containing illustrated abridgments of inventions, &c.) from 1897 to date.

*Australia.*

The Official Journal of Patents from 1905 to date.

*United States.*

The Official Gazette of the United States Patent Office (containing illustrated abridgments of specifications, &c.) from 1885 to 1887 and 1890 to 1895.

**CHRISTCHURCH.—PUBLIC LIBRARY.**

*United Kingdom.*

Classified abridgments of inventions from 1855 to 1904.  
Illustrated Official Journal from October, 1905, to date.

*Canada.*

Patent Office Record (containing illustrated abridgments of inventions, &c.) from 1897 to date.

*Australia.*

The Official Journal of Patents from 1905 to date.

**DUNEDIN.—TOWN HALL.**

*United Kingdom.*

Classified abridgments of inventions from 1855 to 1904.  
Illustrated Official Journal from October, 1905, to date.

*Australia.*

The Official Journal of Patents from 1905 to date.

**Books and Documents open to Inspection at Patent Office, Wellington.**

**T**HE following documents and books are open to public inspection at the Patent Office:—

**PATENTS.**

(Fee for each search or inspection, not exceeding one hour, 1s.)

1. The files relating to all applications for letters patent in respect of which complete specifications have been accepted.
2. Classified copies of specifications and drawings, with index and key (a).
3. Register of Applications for Letters Patent.
4. Register of Patents.
5. Register of Subsequent Proprietors of Letters Patent (b).
6. Index of Patentees (c).
7. Index of Proprietors of Letters Patent granted prior to 1890 (d).
8. Index of Specifications (e).

**DESIGNS.**

(Search fee, 1s. each quarter of an hour.)

1. Register of Designs, with Index of Names of Proprietors.
2. Classified Representations of Designs in respect of which Copyright has expired.
3. Index of Designs.

(a) Key is in card index.

(b) This Register contains only names of subsequent proprietors of letters patent granted prior to 1st January, 1890; since that date they appear in Register of Patents.

(c) Includes all names of applicants, &c., and consists of four volumes to 4th November, 1903, and card index since that date. A separate card index is kept for current quarter.

(d) The names of proprietors of subsequent letters patent appear in the Index of Patentees.

(e) Contains classified abridgments of specifications from 1861, with extracts from drawings from July, 1904.

**TRADE MARKS.**

(Search fee, 1s. each quarter of an hour.)

1. The files relating to all applications for registration of trade marks.
2. Register of Applications for Registration of Trade Marks.
3. Register of Trade Marks.
4. Index of Applicants for Registration of Trade Marks<sup>(a)</sup>.
5. Index of Trade Marks.
6. Classified Representations of Trade Marks, with indexes.

**MISCELLANEOUS.**

Register of Patent Agents.

**FORMS AND PUBLICATIONS.**

The following forms, &c., may be had on application at the Patent Office, Wellington, or at any of the local Patent Offices named below:—

- Application for letters patent.
- Provisional specification.
- Complete specification and copy thereof.
- Application for registration of design.
- Application for registration of trade mark.
- Applications for extension of time.
- Requests by subsequent proprietor to enter name on Register of Patents and Trade Marks.
- Printed sheets of information as to fees and procedure to obtain letters patent and to register a trade mark<sup>(b)</sup>.
- Pamphlet containing Act and Regulations (price 1s.).

<sup>(a)</sup> Names of applicants for registration and proprietors of trade marks are indexed at the beginning of the Registers up to 31st December, 1889; in separate volume up to 5th September, 1904; and since the latter date in card index.  
<sup>(b)</sup> May also be obtained at any local Patent Office or money-order office.

**Books, Documents, &c., open to Inspection at Local Patent Offices, Auckland, Christchurch, and Dunedin.**

**BOOKS**, documents, &c., open to inspection, and forms, &c., procurable, at the local Patent Offices at Auckland, Christchurch, and Dunedin.

**BOOKS, ETC., OPEN TO INSPECTION.**

- Complete specifications and drawings of inventions. (Note.—One set of the specifications and drawings is sent, on acceptance, to Auckland, Christchurch, and Dunedin in succession, remaining fourteen days at each place, as advertised in the *Gazette*. Search fee, 1s. per hour.)
- Classified abridgments of inventions from 1st January to 30th September, 1908. (Search fee, 1s.)
- Weekly lists of applications for patents up to and including those filed on Friday may be seen on the following Monday. (Search fee, 1s.)
- Name Index—Patents, 1861 to 1889. (Search fee, 1s.)
- Annual Reports, containing alphabetical lists of applicants and subject-matter indexes since 1890.
- Patents Supplement to the *New Zealand Gazette*.
- Patents, Designs, and Trade Marks Act and Rules.
- Acts and Rules of other countries.
- Australian Official Journal of Patents.

**FORMS, ETC., OBTAINABLE.**

The following forms, &c., may be obtained on application:—

- Applications for letters patent.
- Provisional specification.
- Complete specification, and copy thereof.
- Application for registration of design.
- Application for registration of trade mark.
- Applications for extension of time.
- Requests by subsequent proprietor to enter name on Register of Patents and Trade Marks.
- Printed sheets of information as to fees and procedure to obtain letters patent and to register designs and trade marks.
- Pamphlet containing Act and Regulations. (Price, 1s.)

**NOTE.**—The classified abridgments of the specifications and drawings of the United Kingdom may be seen in the Public Library. Other publications will be placed on file as soon as they are available.

**Official Publications.**

**T**HE following publications may be obtained from the Government Printer, Wellington:—

- Printed specifications to the end of the year 1879.
- Annual lists of letters patent and letters of registration applied for, and particulars of applications lapsed, and patents lapsed, from 1880 to 1893 inclusive. (The lists for the last four of these years are contained in the *Annual Reports of the Registrar*.)
- Annual reports of the Registrar, containing alphabetical indexes of applicants for letters patent and of subject-matter of inventions patented from 1894 to 1906 inclusive.
- The Patents Supplement to *Gazette* (containing notifications, applications for letters patent, abridged descriptions and drawings of inventions, &c.), published fortnightly.

**Local Patent Offices.**

**L**OCAL Patent Offices for the reception of applications, supply of forms, &c., have been established at the following places:—

- Auckland—Supreme Court. (E. W. Cave, agent.)
- Whangarei—Courthouse. (W. J. Reeve, agent.)
- Thames—Courthouse. (J. Jordan, agent.)
- Waihi—Courthouse. (J. McIndoe, agent.)
- Hamilton—Courthouse. (H. J. Dixon, agent.)
- Gisborne—Courthouse. (G. J. A. Johnstone, agent.)
- New Plymouth—Courthouse. (J. Terry, agent.)
- Napier—Courthouse. (A. Trimble, agent.)
- Wanganui—Courthouse. (C. A. Barton, agent.)
- Taihape—Courthouse. (W. Baker, agent.)
- Palmerston North—Courthouse. (C. J. Hewlett, agent.)
- Masterton—Courthouse. (M. Foley, agent.)
- Nelson—Courthouse. (E. C. Kelling, agent.)
- Blenheim—Courthouse. (F. W. Hart, agent.)
- Westport—Courthouse. (O. E. Bowling, agent.)
- Greymouth—Courthouse. (B. Harper, agent.)
- Hokitika—Courthouse. (J. N. Nalder, agent.)
- Christchurch—Supreme Court. (W. W. Samson, agent.)
- Ashburton—Courthouse. (J. Fitzgerald, agent.)
- Timaru—Courthouse. (T. W. Tayler, agent.)
- Oamaru—Courthouse. (A. A. Mair, agent.)
- Dunedin—Supreme Court. (T. E. Roberts, agent.)
- Clyde—Courthouse. (F. T. D. Jeffery, agent.)
- Gore—Courthouse. (G. H. Lang, agent.)
- Queenstown—Courthouse. (A. J. Thompson, agent.)
- Invercargill—Courthouse. (J. R. Colyer, agent.)

**Name Index.—Patents.**

Vol. I, 1861 to 1889.

**M**AY be obtained from the GOVERNMENT PRINTER.

PRICE, 2s. 6d.

**Classified Abridgments of New Zealand Inventions open to Inspection at Auckland, Christchurch, and Dunedin.**

**C**LASSIFIED abridgments of complete specifications gazetted from the 1st January to the 30th September, 1908, are open to public inspection at the local Patent Offices at Auckland, Christchurch, and Dunedin.

**Patent Agent registered.**

Patent Office,  
Wellington, 27th January, 1909.

**I**T is hereby notified that

SYDNEY HAMLET HIGGS,

of 4 Telford Terrace, Oriental Bay, Wellington, New Zealand, has been registered as a Patent Agent.

## Applications for Letters Patent filed.

LIST of applications for Letters Patent filed. (Where a complete specification accompanies an application an asterisk is affixed; in all other cases a provisional specification has been lodged. In all cases where the applicant is not the inventor the name of the latter appears in italics after the title.)

- No. 25431.—9th January.—J. and J. W. Hardley, Auckland, N.Z.  
Ventilator and ridging.\*
- No. 25432.—8th January.—R. B. Wight, Takapuna, N.Z.  
Potato-harvester.
- No. 25433.—8th January.—C. Y. Dally, Masterton, N.Z.  
Washing-machine.
- No. 25434.—12th January.—J. Hutchings, London, Eng.  
Pumping-engine.\*
- No. 25435.—12th January.—J. Henriksen and C. J. Hemmingsen, Copenhagen, Denmark.  
Milking-appliance.\*
- No. 25436.—12th January.—D. R. Fisher, Feilding, N.Z.  
Quadding apparatus of linotype machine.
- No. 25437.—12th January.—S. H. Donkin, Wellington, N.Z.  
Safety pocket.
- No. 25438.—12th January.—T. Firth, Wellington, N.Z.  
Horse-controller and wheel-lock.\*
- No. 25439.—12th January.—J. M. Neno, Wellington, N.Z.  
House spouting and ridging.
- No. 25440.—11th January.—S. Malden and R. E. Rees, Christchurch, N.Z.  
Candle-extinguisher.
- No. 25441.—12th January.—A. J. Baker, Christchurch, N.Z.  
Tire-inflating pump.
- No. 25442.—13th January.—J. Godber, Wellington, N.Z.  
Ornamentation for bride-cakes, &c.\*
- No. 25443.—13th January.—W. A. Van Berkel, Rotterdam, Holland.  
Meat-slicing machine.\*
- No. 25444.—13th January.—W. L. and J. W. Davidson, Hutt, N.Z.  
Tobacco-cutter.
- No. 25445.—13th January.—C. F. Birch, Karori, N.Z.  
Platform-bracket.
- No. 25446.—14th January.—J. Jonson, Stratford, N.Z.  
Shielded fishing-hook.
- No. 25447.—13th January.—A. M. Grainger, Dunedin, N.Z.  
Weed-extracting device.
- No. 25448.—13th January.—A. M. Grainger, Dunedin, N.Z.  
Rabbit-trap.
- No. 25449.—15th January.—F. W. Bliss, Woodville, N.Z.  
Bacon-slicer.
- No. 25450.—15th January.—W. Wilson, Christchurch, N.Z.  
Acetylene-generator.
- No. 25451.—16th January.—E. A. A. Laery and G. T. Stewart, Featherston, N.Z.  
Ticket-rack holder.\*
- No. 25452.—16th January.—G. T. and H. H. Stewart, Featherston, N.Z.  
Searing and docking knife.\*
- No. 25453.—16th January.—W. Dall, Dunedin, N.Z.  
Wire-fence dropper.\*
- No. 25454.—16th January.—L. G. Grace, Hawera, N.Z.  
Kerosene-siphon.
- No. 25455.—16th January.—Oliver-Roche Company, New York, U.S.A.  
Water-filter.\* (*J. Roche and A. Oliver.*)
- No. 25456.—16th January.—Oliver-Roche Company, New York, U.S.A.  
Water-purifier.\* (*J. Roche and A. Oliver.*)
- No. 25457.—16th January.—Hydrocarbon Converter Company, New York, U.S.A.  
Hydrocarbon vaporiser.\* (*E. B. Benham and G. M. S. Tait.*)
- No. 25458.—16th January.—H. H. Leathwick and N. Brooke, Timaru, N.Z.  
Pie-dish.\*
- No. 25459.—16th January.—H. J. Wood, Christchurch, N.Z.  
Kettle-lid.\*
- No. 25460.—13th January.—W. O. Southgate, Dunedin, N.Z.  
Tip for bottle-washing brush.
- No. 25461.—16th January.—H. B. Murray, Dunedin, N.Z.  
Disposing of dredger-tailings.
- No. 25462.—16th January.—K. W. Hedges, London, Eng.  
Gas-heating stove.\*
- No. 25463.—18th January.—United Centadrink Manufacturing Company, New York, U.S.A.  
Carbonating and vending apparatus.\* (*H. Pein.*)
- No. 25464.—18th January.—S. H. Davey, Waitoa, N.Z.  
Wheel-lock and horse-holder.\*
- No. 25465.—19th January.—W. McGee, Wellington, N.Z.  
Rein-holder.
- No. 25466.—19th January.—S. H. Donkin, Wellington, N.Z.  
Mattress.
- No. 25467.—20th January.—L. Lilley, Stratford, N.Z.  
Angle-bracket.\*
- No. 25468.—20th January.—G. F. Tasker, Christchurch, N.Z.  
Fire-alarm.
- No. 25469.—20th January.—M. Belk, Palmerston North, N.Z.  
Propeller.
- No. 25470.—21st January.—L. G. Grace, Hawera, N.Z.  
Tire-puncture preventer.
- No. 25471.—21st January.—L. G. Grace and T. H. Gillman, Hawera, N.Z.  
Hydraulic ram.
- No. 25472.—21st January.—F. G. Skelton, Hastings, N.Z.  
Lid for tins.
- No. 25473.—21st January.—T. D. Jones, Sydney, N.S.W., and H. Ringstad, Redfern, N.S.W.  
Advertising-cabinet.\*
- No. 25474.—21st January.—G. Sollitt, Hastings, N.Z.  
Venetian blind.\*
- No. 25475.—21st January.—J. Mitchell, Auckland, N.Z.  
Building-construction.\*
- No. 25476.—21st January.—G. L. Pearson, Christchurch, N.Z.  
Well-boring appliance.
- No. 25477.—21st January.—W. G. Dart, Wellington, N.Z.  
Billiard-dining-table.
- No. 25478.—21st January.—P. T. Sheedy, Heddon Bush, N.Z.  
Drill and ridge scarifier.
- No. 25479.—21st January.—A. H. Jones, Invercargill, N.Z.  
Locking-bolt.
- No. 25480.—19th January, R. Millis, Dunedin, N.Z.  
Gold-saving process and apparatus.
- No. 25481.—21st January.—C. Mills, Christchurch, N.Z.  
Window-lock.
- No. 25482.—23rd January.—E. H. Brooker, Medbury, N.Z.  
Suction-blast seed stripper and dresser.
- No. 25483.—23rd January.—G. H. Buckeridge, Christchurch, N.Z.  
Watch, &c., holder.
- No. 25484.—23rd January.—S. G. Roseman, Auckland, N.Z.  
Broom-handle fastener.
- No. 25485.—23rd January.—E. McPartland, Taumarunui, N.Z.  
Dust-pan.
- No. 25486.—21st January.—W. Morton, Dunedin, N.Z.  
Wood framing metal joint.\*
- No. 25487.—21st January.—J. G. Watt and W. Barradale, Auckland, N.Z.  
Grader.
- No. 25488.—25th January.—A. Simonson and O. R. Petersen, Masterton, N.Z.  
Gate or door fastening.

## Complete Specifications filed after Provisionals.

LIST of complete specifications filed after provisional specifications, from the 12th to the 25th January, 1909, inclusive:—

- No. 24262.—A. C. Anderson, weight-indicator.
- No. 24281.—M. Higgins, detecting air-escape in brakes.
- No. 24284.—C. Suttie and M. H. Wynyard, fibre-cleaner.
- No. 24286.—N. Guthridge, sizing-classifier. (*W. L. Card.*)
- No. 24316.—I. F. Taylor and S. Pick, fire-escape crane.
- No. 24394.—A. G. R. Williams, gas manufacture and retort.
- No. 24414.—H. Hadida, stamp-affixer.
- No. 24466.—R. McDonald, swingle-tree hook.

NOTE.—Owing to an error in the specification filed by the applicant, the entry "No. 24208, A. G. R. Williams, gas-manufacture," was advertised under the above heading in *Gazette* No. 4, of 14th January, 1909, instead of "No. 24394, A. G. R. Williams, gas manufacture and retort."

**Notice of Acceptance of Complete Specifications.**

Patent Office,  
Wellington, 27th January, 1909.

COMPLETE specifications relating to the undermentioned applications for Letters Patent have been accepted, and are open to public inspection at this office. Any person may, at any time within two months from the date of this *Gazette*, give me notice in writing of opposition to the grant of any such patent. Such notice must set forth the particular grounds of objection, and be in duplicate. A fee of 10s. is payable thereon.

No. 23749.—21st November, 1907.—JOHN STURDIDGE DREADON, of Mititai, Northern Wairoa, Auckland, New Zealand, Farmer. An improved grindstone.\*

*Extract from Specification.*—According to this invention, suitable grinding-material, which may be of stone or of other approved nature, is secured within the periphery of two wheels mounted upon a shaft adjacent to each other, in such a manner that the adjacent surfaces of the grinding-material will be in juxtaposition and revolve together. These surfaces are tapered inwards so that the two together form a wedge-shaped opening into which the tapered edge of a tool is adapted to fit in order that both faces of the tool may be ground. One wheel is fixed on the shaft, while the other is made free to slide to and fro on it, while being arranged to rotate therewith. Means are provided whereby the position of the movable wheel may be varied with regard to the fixed wheel in order that the width of the opening between the grinding-faces may be regulated.

[NOTE.—The above extract from the specification is inserted in place of the claims.]

(Specification, 3s. ; drawing, 1s.)

No. 23972.—6th February, 1908.—ALFRED ROBERT HALE SWINDLEY, of Coromandel, New Zealand, Shipping Agent. Improvements in registering mariners' compasses.\*

*Claims.*—(1.) In combination, a compass, a vertical terminal arranged upon the compass-card, a pair of arms pivoted to the compass-case and adapted to extend one on each side of the terminal upon the card, an electric alarm and annunciator circuit, and electrical connections between the terminal upon the card and one pole of such circuit, and between the pivoted arms and the other pole of the circuit, substantially as and for the purposes specified. (2.) The improvements in registering mariners' compasses substantially as described and explained, as illustrated in the drawings, and for the several purposes set forth.

(Specification, 3s. ; drawing, 1s.)

No. 23973.—6th February, 1908.—JOHN ANDREW MILLAR, of Wellington, New Zealand. An improved rowlock.\*

*Extract from Specification.*—According to this invention, the rowlock is constructed with a stem having its upper portion divided into two and hinged to the main portion. The arms or forks are made in one with the respective hinged portions, and the hinges are arranged in such a manner that they will be capable of turning down and outwards from each other, or of standing up together so as to be adapted to receive the oar. A socket-piece is attached to the boat's gunwale, this socket-piece comprising a vertical sleeve adapted to lie against the inside of the gunwale and to receive the stem of the rowlock. The stem, after being inserted, has a cross-pin or the like secured upon its bottom end so as to prevent it being lifted out of the sleeve.

[NOTE.—The above extract from the specification is inserted in place of the claims.]

(Specification, 3s. ; drawing, 1s.)

No. 24066.—28th February, 1908.—ROBERT TACON, of Christchurch, New Zealand, Chaff-cutter. Improved spark-arrester for locomotive or like boilers.\*

*Claims.*—(1.) In spark-arresters for locomotive and like boilers, consisting of a cap or hood supported above the top of the funnel, and provided with a convex undersurface, a receptacle for the sparks formed around the bottom edge of the hood and constructed by turning such edge inwards and upwards, and provided with a flange extending outwards from the top extremity of such edge and over the receptacle thus formed, substantially as specified. (2.) The general arrangement,

construction, and combination of parts in my improved spark-arrester for locomotive or like boilers, substantially as described and explained, as illustrated in the drawings, and for the several purposes set forth.

(Specification, 2s. ; drawing, 1s.)

No. 24105.—7th April, 1908.—ALEXANDER COLIN MURRAY, of Timaru, New Zealand, Commission Agent. An improved bucket-handle for kerosene-tins and the like.\*

*Claim.*—The handle for kerosene-tins and the like, comprising, in combination, a handle mounted on a suitably bent frame, means for holding the handle to the frame, and means for holding or fastening the frame to the tin, substantially as described.

(Specification, 1s. ; drawing, 1s.)

No. 24111.—9th March, 1908.—OSKAR BREDEHORST, of Kimbolton, New Zealand. An improved construction of spring cart.\*

*Claims.*—(1.) The improved construction of spring cart characterized by the use of helical springs arranged to suspend the cart-body upon the axle. (2.) In spring carts, helical springs extending transversely outwards from each side of the axle, attached at their inner ends to such axle, and at their outer ends to the cart-body, substantially as specified. (3.) The improved construction of spring cart substantially as described and explained, and as illustrated in the drawings.

(Specification, 1s. 6d. ; drawing, 1s.)

No. 24197.—31st March, 1908.—JOSEPH STEPHENS, of Riversdale, Southland, New Zealand, Inventor. An improved combined mouse- and rat-trap.\*

*Extract from Specification.*—The invention relates to the class of traps in which a wire loop is sprung over upon the animal to be killed. The main feature of my invention consists in the striking arrangement. Instead of placing the bait upon a suspension hook as hitherto, the bait is placed beneath a wire trip which is pivoted upon the foundation-plate, and has a loop to receive the end of a pivoted wire lever, which passes over and retains the catching-loops.

[NOTE.—The above extract from the specification is inserted in place of the claims.]

(Specification, 2s. ; drawing, 1s.)

No. 24249.—9th April, 1908.—LOUIS TASMAN REICHEL, of 62 Rolleston Street, Wellington, New Zealand, Electrician, and EDWIN FREDERICK REICHEL, of 71 Wright Street, Wellington aforesaid, Electrician. An improved fire-alarm.\*

*Extract from Specification.*—The invention consists in the utilisation of a thermopile to produce a current of electricity sufficiently strong to actuate a galvanometer, which in turn will cause an electric alarm circuit to be closed when the galvanometer pointer has been deflected a certain regulated distance. The thermopile will be so constructed that it may be secured upon a ceiling or wall of a building, and any desired number of such thermopiles may be arranged in series with the galvanometer. The thermopile will be also so formed that a current of sufficient strength to actuate the galvanometer pointer the required amount will only be generated upon a sudden rise of temperature occurring in its vicinity.

[NOTE.—The above extract from the specification is inserted in place of the claims.]

(Specification, 6s. ; drawing, 1s.)

No. 24394.—14th May, 1908.—ARTHUR GEORGE RICH WILLIAMS, of "Rothsay," Cambridge, Auckland, New Zealand, Engineer. An improved apparatus for gas-manufacture, combined with vertical retorts.\*

*Claims.*—(1.) A gas-producing apparatus consisting of a vertical retort standing in a water-sealed ash-pit, with suitable openings for continuously feeding fuel, continuously withdrawing gas, and means for withdrawing the incombustible material when required; having an inlet for fuel and an inlet for gas, steam, air, or steam and air, into the upper portion, and a gas-outlet from the lower portion of the retort. (2.) In combination with an apparatus for producing gas, a furnace for heating retorts by the combustion of gas or fuel

showered into it, consisting of a chamber containing the retorts, suitable gas, steam, air, and exhaust flues built into the walls of the furnace, and openings to allow the incombustible material to fall into a water-sealed ash-pit. (3.) A gas-producing apparatus in combination with a furnace, constructed and arranged as described with reference to and shown in the drawings.

(Specification, 3s.; drawing, 2s.)

No. 24450.—28th May, 1908.—ARTHUR J. WOODLEY, of Carterton, New Zealand. Improvements in or relating to the fastening of animal-covers.

*Claim.*—In animal-covers, the combination with the usual hind-leg straps of a ring attached to the back edge of the inside of the cover by means of a strap made of such a length as to allow of the ring hanging between the horse's legs, and through which ring such leg-straps are passed, substantially as and for the purposes specified.

(Specification, 1s. 6d.; drawing, 1s.)

No. 24648.—7th July, 1908.—AVANDO WARREN HUSSEY VIVIAN, of 103 Hop Exchange, London, England, Engineer; GEORGE LEWELLYN DAVIES, of 8 Austin Friars, London, England, Civil Engineer; and LUDWIG GROTE, of 177 Mount Pleasant Road, Tottenham, London, England, Engineer. Improvements in or relating to the manufacture of artificial fuel.\*

*Extract from Specification.*—The method of treating the liquid hydrocarbons (Patent No. 21462, of 14th July, 1906), according to the present invention consists in subjecting them to the action of chlorine, or, in other words, chlorinating the liquid hydrocarbons. The chlorine may be used in its gaseous form, but it may be found in practice to be more convenient to use some compound or substance which serves as a vehicle for the chlorine, and the substance which we have found to be both advantageous and convenient is chloride of lime, or so-called bleaching-powder.

[NOTE.—The above extract from the specification is inserted in place of the claims.]

(Specification, 6s.)

No. 24994.—1st October, 1908.—CHARLES W. MERRILL, of Alameda, State of California, in the United States of America, Metallurgical Engineer. Process of and apparatus for precipitating and recovering valuable materials from solution.

*Extracts from Specification.*—I have discovered that when a suitable precipitant is added to a moving body of solution, such as a metal-bearing cyanide solution, and the mixture is conducted without rest or without contact with the atmosphere, or both, to a suitable pressure-filter, most of the disadvantages referred to are obviated, and more efficient and economical results are produced. In case collecting-tanks are introduced between the containers in which the dissolution, particularly of the precious metals from the crushed ore, takes place, and the filter, I add the precipitant to the solution as it leaves the collecting-tank, or at some point between the collecting-tank and the filter, or I may add it to the filter direct. In the absence of collecting-tanks, I add the precipitant to the moving solution at some point between the crushed ore and the filter, or to the filter direct. In practice cyanide solutions resultant from the treatment of ores contain, in addition to the gold and allied metals, another group, such, for example, as silver, lead, mercury, &c., which may be precipitated, at least in part, as sulphides. In some such cases it is very desirable to precipitate the latter group, at least in part, before proceeding to precipitate the gold, the remaining silver, and other metals. This I accomplish by the addition of a sulphide soluble in solutions of an alkali or an alkaline-earth metal cyanide, which is added either directly as an alkaline sulphide or formed in the cyanide solution to be precipitated, and containing free alkali, by the addition of hydrogen or other sulphide, the effect of which is to precipitate some of the metals, at least in part, as sulphides before the precipitation of the gold and other unprecipitated metals, and also to recombine the cyanogen thus liberated as an alkali metal or alkaline-earth metal cyanide, and leave the solution in better condition for the precipitation of the remaining metals by the second precipitant. After the aforesaid metals have been eliminated, at least in part, and gold and other unprecipitated metals only are present, I precipitate them by any precipitant which may be found from time to time convenient. A further object of my invention

is to render possible an equal distribution and agitation of the unfilterable material within the containers of the filter-press whenever the same is desirable, which is particularly the case where metals are precipitated from cyanogen-bearing solutions by means of a precipitant such as finely divided zinc, which has a greater affinity for cyanogen than the metals to be precipitated, or by means of a regenerating precipitant, such as an alkaline sulphide, by the use of which part of the cyanogen—namely, that part in combination with such metals as will be precipitated as sulphides from a cyanogen-bearing solution—is regenerated or made available for further dissolving of the metals as an alkaline cyanide. This object is accomplished by making use of a duct leading from a port within the container, and preferably located at the bottom thereof, to a feed-channel located above said outlet and preferably in an upper corner of the container. A still further object of my invention is to provide devices for maintaining a comparatively thick layer of precipitant and precipitate on the cloths of the filter-plates through which the solution has to pass, in filter-presses which are composed of a series of containers and filter-plates, and particularly presses in which containers and filter-plates are employed, the sides of which converge toward the bottom inlet, and the object of maintaining such comparatively thick layer is to insure practically a molecular contact between the precipitant and the solution to be precipitated, thereby effecting much more thorough precipitation. The last object of my invention is to provide devices which will prevent the material in the containers from settling back into the channels of the press when the latter is not in use. This I accomplish by means of a continuous valve arrangement for closing all inlets.

[NOTE.—The above extracts from the specification are inserted in place of the claims.]

(Specification, £1; drawing, 10s.)

No. 25151.—29th October, 1908.—JUSTIN KAY TOLES, of Yosemite Club, 245 North San Joaquin Street, Stockton, California, United States of America, Manufacturer. Apparatus for preparing and cleaning fibre.

*Extract from Specification.*—The invention consists substantially of a plurality of scutching-blades alternating with a plurality of teeth, means to actuate the blades and teeth, and devices to feed the fibre to and to hold it in a position to be acted upon by said blades and teeth. One form of the invention is described, and is illustrated in the drawing.

[NOTE.—The above extract from the specification is inserted in place of the claims.]

(Specification, 5s. 6d.; drawing, 1s.)

No. 25173.—4th November, 1908.—ISAAC HENRY COOPER, of Queen Victoria Street, Ballarat, Victoria, Australia, Millwright, and ALEXANDER HENRY WHITE, of Wendouree Parade, Ballarat aforesaid, Maltster. Improvements in elevators and conveyors.

*Claims.*—(1.) In an elevator, a cable to which cups or buckets are attached by clamps over wire gauze or like suitable wrapping as set forth, a pulley having a suitable groove to grip the cable, and having broad side surfaces to restrain cup tilting as indicated. (2.) The combination with an elevator cup, of parts substantially as shown in Fig. 3 of the drawings. (3.) In combination with a cup or bucket carrying cable or cables, a pulley having outer broad surfaces between which is, or are, a groove or grooves adapted to grip the cable or cables. (4.) The arrangement and combination of parts as a whole as illustrated by Fig. 1.

(Specification, 2s. 6d.; drawing, 1s.)

No. 25223.—13th November, 1908.—AGNES EDMOND, Gentlewoman, and JOHN HERCUS, Commission Agent, both of Exchange Court, Princes Street, Dunedin, New Zealand. Improvements in pins.

*Extract from Specification.*—We form one or more kinks or crimpings in the body of the pin, either occupying the principal portion of the said body or in special places at or near the ends of same; and in a modification for the same purpose we thin and spread the body where needed, instead of kinking it.

[NOTE.—The above extract from the specification is inserted in place of the claims.]

(Specification, 2s. 6d.; drawing, 1s.)

No. 25267.—25th November, 1908.—ROBERT GRAY, of Hyde Street, Adelaide, South Australia, Furniture-manufacturer. A new or improved cushion for use in billiards and other games played with a cue and balls.

*Extract from Specification.*—My improved cushion consists of two portions—a base with a short upright stem or standard, and a circular disc carrying the cushion proper, which projects beyond the base.

[NOTE.—The above extract from the specification is inserted in place of the claims.]

(Specification, 2s. ; drawing, 1s.)

No. 25290. — 13th December, 1907. — GEORGE BARKER BOWLES, of 37 Avenue Road, Forest Gate, London E., England, Engineer. Improvements in and relating to brake apparatus, particularly applicable to railway-wagon brakes.

[NOTE.—This is an application under section 106 of the Act, the date given being the official date of the application in Great Britain.]

*Claims.*—(1.) In a brake apparatus, a mechanism automatically readjusting the brake, of the type having a ratchet member controlled by a fixed and a stationary pawl, in which the stationary pawl is arranged to permit sufficient return motion of the ratchet member for the release of the brakes after the automatic readjustment has taken place, as above described.

[NOTE.—Here follow five other claims.]

(Specification, 5s. 6d. ; drawing, 2s.)

No. 25291.—3rd December, 1908.—JOHN FRANCIS CUDGELLICO HODGES, of German's Hill, near Orange, New South Wales, Australia, Farmer, and GEORGE WHITEHOUSE GRIFFITH, of Manildra, New South Wales aforesaid, Storekeeper. Improvements relating to ploughshares.

*Extract from Specification.*—This invention relates to an improved ploughshare, comprising a plough-foot having a gap or fork formation at its forward end lineable with and contiguous to a shouldered bearing-surface against which is seated a straight cutting-blade made approximately of equal section throughout its length. The blade is secured to the under-side of the plough-foot with removable fastenings, and it may be reversed when required. The bearing-surface of the plough-foot forms a shrouding to partly cover the blade on its upper side, leaving only the cutting-surface and edge exposed to view, but the lower side is wholly exposed excepting the small portion which fits into the gap formation.

[NOTE.—The above extract from the specification is inserted in place of the claims.]

(Specification, 4s. ; drawing, 1s.)

No. 25306. — 9th December, 1908. — THOMAS PARKER, M.I.C.E., of Wednesfield, Staffordshire, England. Improvements relating to the destructive distillation of coal and other carbonaceous substances.

*Claims.*—(1.) A process for the partial destructive distillation of bituminous coal or other similar carbonaceous substance at a low temperature, arrested at the stage when illuminating gases have ceased to be evolved, characterized in that the process is conducted in vertical retort-tubes of small internal diameter, to which heat is applied uniformly, and that the fuel treated is finely pulverised or comminuted, substantially as described. (2.) A process for the partial destructive distillation of bituminous coal or other similar carbonaceous substance at a low temperature, which is arrested at the stage when illuminating gases cease to be evolved, characterized in that the coal treated is finely pulverised, and that the distillation is effected in vertical retorts, whereby the dense charge may insure the distillation being effected under compression, substantially as described. (3.) Apparatus for the partial destructive distillation of bituminous coal or similar carbonaceous substance, comprising a unit battery of tubes with common top and bottom fittings for the simultaneous discharge of the vapours and gases through a common outlet, and for the simultaneous charging and discharging respectively of the number of retort-tubes comprised in the unit battery, substantially as described.

(Specification, 5s. 6d. ; drawing, 1s.)

No. 25307.—9th December, 1908.—WILLIAM MOORE, of Traralgon, Victoria, Australia, Wire-strainer Manufacturer. Improvements in wire-strainers.

*Claims.*—(1.) In a wire-strainer, a reel or cylinder provided with an aperture to receive the end of a wire, a hole in said reel in which loosely fits a locking-pin furnished with an enlarged head at each end, an operating lever or key adapted to fit said reel for the rotation thereof, and a spring rod for locking said lever, substantially as and for the purposes set forth.

[NOTE.—Here follow four other claims.]

(Specification, 3s. ; drawing, 1s.)

No. 25309.—10th December, 1907.—ROBERT RABY, formerly of 23 Lonsdale Street, Melbourne, Victoria, Australia, Chemist, but now of Ingliston, Victoria aforesaid. Tap for liquids and gases.

[NOTE.—This is an application under section 106 of the Act, the date given being the official date of the application in Australia.]

*Claims.*—(1.) In a tap for liquids or gases, a diaphragm (as A) in combination with a spring valve enclosed in an airtight or closed casing, the whole forming a hermetically sealed tap, substantially as described, and as illustrated in the drawings.

[NOTE.—Here follow three other claims.]

(Specification, 3s. 6d. ; drawing, 1s.)

No. 25310. — 9th December, 1908. — WILLIAM HENRY BLACKHAM, of 59-61 King Street, Melbourne, Victoria, Australia, Merchant. An improved governing-attachment for vacuum-forming ejectors operated by steam or other fluids.

*Claims.*—(1.) In an improved governing-attachment for vacuum-forming ejectors operated by steam or other fluids, and said ejectors being of the class described, means for cutting off the vacuum-inducing agent immediately the vacuum within a reservoir exceeds the normal or a predetermined degree, and turning on said inducing agent immediately said vacuum falls below said normal or predetermined degree.

[NOTE.—Here follow seven other claims.]

(Specification, 7s. 6d. ; drawing, 1s.)

No. 25311.—9th December, 1908.—GEORGE LUNT, of Cropton Formby, Lancaster, England, Managing Director. Improvements in or relating to the manufacture of bread.

*Extract from Specification.*—The invention further consists in introducing the oxygen, air, or other suitable gas containing free oxygen into the dough by means of nozzles or the like, which permeate into and become immersed in and more or less sealed by the dough before the gas is delivered through them, so that the expansion of the gas is effective in thoroughly stretching and permeating the dough.

[NOTE.—The above extract from the specification is inserted in place of the claims.]

(Specification, 10s. ; drawing, 3s.)

No. 25313. — 9th December, 1908. — HENRY CHARLES FORREST, of "Sunnyside," Fern Street, Randwick, near Sydney, New South Wales, Australia, Manager. Improvements in racks for bottle-washing machines.

*Extract from Specification.*—In the present machines for washing ordinary bottles, internally stoppered bottles cannot be properly washed owing to the stopper closing the mouth of the bottle when the latter is inverted. This invention has therefore been designed to overcome this difficulty, and consists in constructing a special form of rack or holder, and providing it with studs or fingers, one for every compartment, each of which projects into the neck of a bottle and thereby prevents the stopper closing the mouth when the bottle is inverted.

[NOTE.—The above extract from the specification is inserted in place of the claims.]

(Specification, 2s. 6d. ; drawing, 1s.)

No. 25319.—9th December, 1908.—**GEORGE EDWARD WHITE**, Cheesemaker, **ROWLAND FREEDY BAKER**, Dairy-factory Manager, and **FREDERICK JOHN JACKSON**, Plumber, all of Manaiā, New Zealand. Improved means for use in measuring and delivering predetermined quantities of liquids.

*Extract from Specification.*—The means designed consist of a receiving-tank, into which the skim-milk is run, and which is provided with a suitable outlet. Within the tank is suspended a device carrying an electric switch of suitable design, and adapted to be operated by the rising of a float arranged beneath it. This switch device is suspended within the tank in such a manner that it may be adjusted to any height therein. It is arranged in circuit with an electric alarm, so that upon the level of the liquid in the tank rising to the height necessary to press the float upwards on to the switch the switch will be closed, and the alarm caused to sound. Thus the attendant will be warned that the amount of milk to be delivered has been run into the tank, so that the supply may be cut off.

[NOTE.—The above extract from the specification is inserted in place of the claims.]

(Specification, 4s. 6d. ; drawing, 1s.)

No. 25321.—7th December, 1908.—**BERTHOLD HERMAN NEES**, of Dunedin, New Zealand, Manager Furniture-factory. Improved metal couplings for wooden frames.

*Claims.*—(1.) In metal couplings for coupling up wooden framings, in combination, the single part bolted to the post, with the double or jaw part made separate in two pieces, and furnished with internal lugs formed in one with each, for easy fitting and tightening up when together, all substantially as described and as explained, and as illustrated in the drawing. (2.) In metal couplings for wooden framings, the single part formed with a rest on which to rest the double part, which is made in two pieces capable of being tightened up or loosened as needed, all substantially as set forth.

(Specification, 2s. ; drawing, 1s.)

No. 25331.—20th March, 1908.—**CARL ALBRECHT BAECHELER**, of 5 Kollikerstrasse, Zurich, Switzerland, Dairy Engineer. Improvements in the manufacture of casein.

[NOTE.—This is an application under section 106 of the Act, the date given being the official date of the application in Great Britain.]

*Claims.*—(1.) The manufacture of casein by first adding to the milk, if necessary, a substance which enhances the tendency of the casein to coagulate, then adding a coagulating ferment, preceded by, accompanied by, or followed by a material which has the effect of causing coagulated casein to shrink together; then, at the moment when the coagulation is first perceived, rapidly agitating the whole until the casein is in a finely divided condition; then, while still agitating, heating and cooling the whole successively, and finally separating and drying the casein.

[NOTE.—Here follow five other claims.]

(Specification, 4s.)

No. 25333.—8th December, 1908.—**WALLACE CARE**, of Alexandra, Miner, and **ARTHUR E. SPOONER**, of Alexandra South, Engineer, both in New Zealand. Improved current motor or power-developer.

*Extract from Specification.*—The object of this invention is to obtain as much power as possible from running streams by wheels of a make similar to that of screw propellers, but as the water strikes the vanes of such wheels in a slanting direction, we counteract this as much as possible by diverging the incoming stream in the opposite directions, thus converting the first wheel the stream encounters into a turbine by the said diverted water striking the vanes more squarely. As the well-known action of water driving such wheels is to give it a swirling or rotary movement, the next wheel has its vanes formed in the opposite direction, so as again to give it somewhat the action of a turbine, and so forth for as many wheels as are employed.

[NOTE.—The above extract from the specification is inserted in place of the claims.]

(Specification, 3s. ; drawing, 1s.)

No. 25337.—17th December, 1908.—**DARCY GILBERD**, Contractor, and **GATLAND GILBERD**, Contractor, both of Henderson, Auckland, New Zealand. Improvements in friction-clutch appliances.

*Claim.*—The combination in friction-clutch apparatus of the striking-rollers Y, cam or other projection in connection with the striking-bar L, the screw N, and frame, all substantially as set forth.

(Specification, 4s. 6d. ; drawing, 2s.)

No. 25345.—15th December, 1908.—**WILLIAM L. IMLAY**, of Conestoga, Pennsylvania, United States of America, Gentleman. Process of extracting precious metals from their ores.

*Claims.*—(1.) The process of treating ores which consists in pulverising said ores while they are subjected to a solution capable of dissolving the contained values, and alternately heating and cooling said ore and solution while being exposed to light and air and under agitation. (2.) The process of treating ores which consists in subjecting them to the action of a cyanide solution, and alternately heating, cooling, and agitating said ore and solution while exposed to light and air. (3.) The process of treating ores which consists in continuously conveying them through successive bodies of cyanide solution, and alternately heating and cooling and agitating said ore and solution while exposed to the action of light and air. (4.) The process of treating ores which consists in acting upon them by a solution of cyanide while being subjected to rubbing or scouring conducted under changes in temperature and to the action of light and air. (5.) The process of treating ores which consists in conveying the pulverised ores in the presence of a solution capable of dissolving therein contained values over a series of lixiviators where said ore and solution are alternately heated, cooled, agitated, and scoured while exposed to the action of air. (6.) The process of treating ores which consists in subjecting the ore to the action of a solution capable of dissolving the values therein contained, amalgamating said mixture of ore and solution, then conveying said mixture over a lixiviator where same is alternately heated, cooled, and agitated while exposed to the action of light and air, then separating said solution from said ore, and then recovering the values. (7.) The process of treating ores which consists in subjecting them to the action of a solution capable of dissolving their values, while being subjected to rubbing or scouring conducted under alternately rising and falling temperature. (8.) The process of treating ores which consists in subjecting them to the action of a value-dissolving solvent, raising and lowering the temperature of said ore and solvent by friction caused by allowing the ore to fall, rubbing and scouring it. (9.) The process of treating ores which consists in subjecting them to the action of a value-dissolving solvent and alternately heating and cooling the ore and solvent while exposed to light and air and under frictional agitation by causing the ore to fall, by stirring, by rubbing, and by scouring. (10.) The process of treating ores which consists in acting upon them by a solution of cyanide while being subjected to the action of friction by causing the ore to fall, by agitating it, and by scouring, while exposed to the action of air.

(Specification, 5s. 6d. ; drawing, 1s.)

No. 25346.—15th December, 1908.—**HUBERT ELWELL SMITH**, of 52 Frederick Street, Edinburgh, Scotland, Electrical Engineer. Improvements in and relating to carburetters.

*Claims.*—(1.) A carburetter comprising two closely fitting chambers, each composed of a series of enlarged portions joined by relatively constricted channels, substantially as described. (2.) A carburetter comprising two closely fitting chambers, each having a series of alternate enlargements and constrictions, immersed in liquid contained in an outer casing, substantially as described. (3.) A carburetter according to claim 2 in which the chambers are split into two halves, so as to allow of more ready access of the surrounding liquid to the interior. (4.) A carburetter according to claim 1 in which the enlargements are approximately spherical, or doubly conical, substantially as described.

(Specification, 3s. 6d. ; drawing, 1s.)



No. 25348.—12th December, 1908.—JACOB WAECHTER-GERBER, of Zenghausstrasse 7, Zurich, Switzerland, Machinist. Improvements in and relating to vacuum cleaning-apparatus.

*Claims.*—(1.) A vacuum cleaning-apparatus fitted with dust-collector and foot-pumps, characterized by a tubular casing fitted with an inner ring carrying superposed tapering nozzles, and having at one end a suction orifice, while its other end carries a dust-collector or filter, and further characterized by an air-induction nozzle connected with two elastic tubes leading to foot-pumps attached to the feet of the operator, and furnished with inlet and air-forcing valve.

[NOTE.—Here follow three other claims.]

(Specification, 2s. 6d. ; drawing, 1s.)

No. 25349.—12th December, 1908.—HENRY THOMAS, of 66 Silvermere Road, Catford, London S.E., England. An improvement in meat-slicing machines.

*Claims.*—(1.) In a meat-slicing machine, means for supporting the slice whilst being cut, so that the skin thereof shall be properly severed. (2.) Supporting-means such as claimed in claim 1, consisting of a bracket *a* having a cross-piece or head *b*, and means for securing it to the machine, substantially as described.

(Specification, 2s. ; drawing, 1s.)

No. 25368.—22nd December, 1908.—MONOTYPE MACHINE (COLONIAL PATENTS) SYNDICATE, LIMITED, of 43 Fetter Lane, London, E.C., England (assignees of Wilfred Bancroft, of Philadelphia, Pennsylvania, United States of America). Improvements in or relating to multiplex composing-mechanisms.

*Claims.*—(1.) A composing-machine comprising a single selecting unit or mechanism, and two or more separate composing units or mechanisms each operatively connected with the selecting unit, and adapted to work to or designate and record a different "set" or line-measure, or both, to the other companion unit or units. (2.) In a composing machine or mechanism, the combination with a plurality of separate composing-units and a single selecting-unit operatively connected with, to simultaneously operate, all the composing-units, of mechanism connected with each composing-unit for separately justifying or independently effecting the justification of the lines composed thereon.

[NOTE.—Here follow four other claims.]

(Specification, 10s. 6d. ; drawing, 4s.)

No. 25372.—24th December, 1907.—THOMAS HAWKINS, of 40 Florence Street, Upper Street, Islington, London N., England, Mechanical Engineer. Improvements in or relating to chamber-pots and slop-pails.

[NOTE.—This is an application under section 106 of the Act, the date given being the official date of the application in Great Britain.]

*Claims.*—(1.) For use with articles of the kind specified, an upwardly convex disc or cover-plate situated conveniently below the level of the top edge or seat, the same being either fixed or supported removably, or being an integral portion of the article, a space between the edge of said disc or plate and the interior of the vessel preventing the lodgment of any fluid allowing same to have free passage into the interior of the said article.

[NOTE.—Here follow five other claims.]

(Specification, 6s. ; drawing, 3s.)

No. 25373.—23rd December, 1908.—MAXIM SILENT FIRE-ARMS COMPANY, a Corporation organized and existing under the laws of the State of New Jersey, located at Jersey City, in the State of New Jersey, and carrying on business at No. 38 Park Row, New York, United States of America (assignees of Hiram Percy Maxim, of 550 Prospect Avenue, Hartford, Connecticut, United States of America aforesaid), Engineer. Improvements in devices for lessening the sound of discharge of guns.

*Claims.*—(1.) A device for lessening the noise of discharge of guns, in which the gases are caused to acquire a rapid whirling or rotary movement in a suitable chamber connected

with the bore of the barrel, and are thereby made to dissipate their energy and to lose their high velocity before they are finally released into the atmosphere.

[NOTE.—Here follow six other claims.]

(Specification, 15s. ; drawing, 2s.)

No. 25374.—23rd December, 1908.—AVILA THOMAS, of 99 Hancock Avenue West, Detroit, Michigan, United States of America, Engineer. Improvements in reinforcing-bar for concrete structures.

*Extract from Specification.*—The primary object of the invention is to provide simple and efficient means whereby a cementitious mass or body capable of resisting high compression, but naturally deficient in tensile strength, may be so reinforced as to enable it to successfully resist all the tensile and shearing strains to which it may be subjected. The invention further contemplates the construction of a reinforcing-bar for concrete structures, consisting of a main tension member and minor shear members, said parts being so constructed as to enable the shear members to be associated with the tension member at any desired angle thereto, and at any desired point, and securely attached to said bar. The invention further contemplates means for effecting a connection between the tension member and the oblique shear members, of such a character as to enable the shear members to be readily associated with the tension member, and, when properly positioned, securely locked thereto.

[NOTE.—The above extract from the specification is inserted in place of the claims.]

(Specification, 9s. 6d. ; drawing, 2s.)

No. 25380.—24th December, 1908.—RICHARD FRANCIS LEAN, of Lithgow, New South Wales, Australia, Engineer. Lubricant for internal-combustion engines.

*Claims.*—(1.) A cylinder-lubricant for internal-combustion engines, consisting of one part of soft-soap dissolved in five parts of water, and containing a trace only of free alkali. (2.) A cylinder-lubricant for internal-combustion engines, produced by saponifying an animal or a vegetable oil with caustic potash or sodium, dissolving the soap in water, and treating the solution to neutralise excess of free alkali, substantially as described. (3.) A cylinder-lubricant for internal-combustion engines, produced by dissolving commercial soft-soap in water, and treating the solution with hydrochloric acid to neutralise excess of free alkali.

(Specification, 2s. 6d.)

No. 25382.—24th December, 1908.—SAMUEL EWING, of Brooklyn Street, Burwood, New South Wales, Australia, Commercial Traveller. An improved apparatus for generating fire-extinguishing gases and automatically ejecting a stream of water permeated therewith.

*Claims.*—(1.) In an improved apparatus for generating carbonic acid or other fire-extinguishing gases and automatically ejecting a stream of water permeated therewith, a jar hung on trunnions, and designed to be inverted by means of an externally operated mechanism so as to deposit its chemical contents into a reservoir of water, for the purpose set forth, and substantially as described, and as illustrated in the drawings. (2.) In an improved apparatus for generating fire-extinguishing gases, a receptacle containing the required chemical substance designed to be inverted at will, and an externally operated means for accomplishing same, in combination with a water-tank of suitable construction, the necessary opening in which is closed by an airtight lid, for the purpose set forth. (3.) In an improved apparatus for generating fire-extinguishing gases and automatically ejecting a stream of water permeated therewith, a receptacle such as 20, having trunnions such as 19, one of which carries a cog-wheel such as 21, in combination with a rack such as 22 engaging with said cog, said rack being provided on a lever such as 25, passing through a stuffing-box such as 24, provided in the lid of the vessel containing said receptacle and the water, as and for the purposes as set forth, and as illustrated in the drawings. (4.) An improved apparatus for generating fire-extinguishing gases and automatically ejecting a stream of water permeated therewith, consisting of the parts constructed, combined, arranged, and operating as set forth, and as illustrated in the drawings.

(Specification, 3s. ; drawing, 2s.)

No. 25387.—24th December, 1908.—HENRY ANGUS NICHOLSON, of Otautau, New Zealand, Engineer. An improved construction of flax-stripper.

*Claims.*—(1.) A flax-stripping-machine drum characterized by having double beaters, and means for conveying water outwardly through the spaces between such double beaters, substantially for the purposes specified. (2.) In flax-machines, a stripper-drum provided with beaters each formed of a pair of parallel bars arranged with a space between them, and with water-passages leading outwardly through the boss of the drum to the spaces between such double beaters, in combination with a hollow spindle upon which the drum is mounted, formed with an aperture in its wall arranged to coincide with the mouths of the water-passages in the drum-boss during a portion of their revolution, and means for introducing a flow of water into the hollow spindle, substantially as and for the purposes specified. (3.) The improved construction of flax-stripper substantially as described and explained, and as illustrated in the drawings.

(Specification, 2s. 6d.; drawing, 1s.)

No. 25418.—7th January, 1909.—EDWARD NEEDHAM WATERS, a member of the firm of Edward Waters and Sons, Patent Attorneys, of 414-418 Collins Street, Melbourne, Victoria, Australia (nominee of the New Jersey Patent Company, a corporation organized under the laws of the State of New Jersey, United States of America, and having its principal place of business at Orange, Essex, New Jersey aforesaid, said corporation having been organized to acquire Letters Patent, deal in same, and grant licenses thereunder—the assignees of Thomas Alva Edison, of Llewellyn Park, West Orange, Inventor; Henry Thomas Oliver, of 124 South Eighth Street, Newark, Mechanical Engineer; and Peter Weber, of 45 Ridge Street, Orange, Factory Superintendent, all in the County of Essex, State of New Jersey, United States of America). Improvements in phonographs and phonograph sound-records.

*Claims.*—(1.) A phonograph record made of hard, tough material, whose record-groove is substantially circular in cross-section with clearly defined side walls, and of materially finer pitch than forty threads per centimeter. (2.) A phonograph sound-record of hard, tough material, whose record-groove is substantially circular in cross-section, the maximum depth of which is greater than one-tenth of its width, and the pitch of which is approximately eighty threads per centimeter. (3.) A phonograph reproducer having a stylus adapted to track the record-groove of the phonograph-record of claims 1 and 2, said stylus being formed with a surface curved upon different radii, and supported in such a way that the radius of curvature in a plane parallel to the direction of said groove is greater than the radius of curvature in a plane at right angles thereto. (4.) A phonograph reproducer-stylus having a bearing-surface curved in one plane on a radius sufficiently small to enable it to engage the record-groove of the phonograph-record of claims 1 and 2, and curved on a substantially greater radius in a plane at right angles to said first plane. (5.) A phonograph reproducer substantially as described and shown in Figs. 10, 11, and 12 of the drawings. (6.) A phonograph having a feed-screw coaxial with the mandrel, and interchangeable means which adapt it to operate upon phonograph-records having record-grooves of different pitch. (7.) A phonograph having a feed-screw coaxial with the mandrel, and interchangeable means which adapt it to operate upon phonograph-records having respectively forty and eighty threads per centimeter. (8.) A phonograph having interchangeable means which adapt it to operate upon phonograph-records having respectively forty and eighty threads per centimeter, and having an indicator for designating which of said records the phonograph is in position for operating upon. (9.) A phonograph having a rotating hollow feed-screw shaft, a rotary shaft within said screw shaft, means for locking said shafts together so as to rotate at the same speed, and interchangeable means for gearing said shafts together so as to rotate at different speeds. (10.) A phonograph having a rotating hollow feed-screw shaft, a rotary shaft within said screw shaft, means for locking said shafts together so as to rotate at the same speed, and interchangeable means comprising planetary gearing for gearing said shafts together so as to rotate at different speeds. (11.) A phonograph substantially as described and shown in Figs. 13, 14, 15, and 16 of the drawings. (12.) A phonograph comprising a mandrel and a feed-screw shaft rotatable on different axes, and interchangeable means for gearing said mandrel and shaft together so that the relative speeds of said members will be suitable for operating upon records of different pitch. (13.) A phonograph substantially as described and

shown in Figs. 17 and 18 of the drawings. (14.) A phonograph substantially as described and shown in Figs. 19, 20, and 21 of the drawings.

(Specification, £1; drawing, 7s.)

An asterisk (\*) denotes the complete specification of an invention for which a provisional specification has been already lodged.

NOTE.—The cost of copying the specification and drawing has been inserted after the notice of each application. An order for a copy or copies should be accompanied by a post-office order or postal note for the cost of copying.

The date of acceptance of each application is given after the number.

Extracts from the drawings accompanying the foregoing complete specifications appear at the end of this Gazette.

J. C. LEWIS,  
Registrar.

#### Provisional Specifications accepted.

Patent Office,  
Wellington, 27th January, 1909.

APPLICATIONS for Letters Patent, with provisional specifications, have been accepted as under:—

- No. 24268.—W. B. Giesen and E. T. Ryan, motor-tire cover.
- No. 24941.—F. E. Bythell, spouting-bracket.
- No. 25016.—R. B. Williams, broom.
- No. 25277.—H. E. Thew, window-sash balance.
- No. 25298.—T. F. Long, destroying Californian thistle.
- No. 25301.—A. S. Tange, non-refillable bottle.
- No. 25303.—T. Drummond, fastening wire to posts.
- No. 25340.—F. M. Norris, non-refillable bottle.
- No. 25350.—W. J. Harvey, shield for air-tubes of tire.
- No. 25359.—E. B. Hughes, sea-saw.
- No. 25400.—H. Bruce, drill.
- No. 25403.—A. E. Peppercorn, preventing escape of steam through gauge-glass.
- No. 25404.—H. E. Thew, seat for tine harrow.
- No. 25411.—V. R. Blair, acetylene-gas generator.
- No. 25412.—United Shoe Machinery Company, fastener-inserter. (L. A. Casgrain.)
- No. 25413.—United Shoe Machinery Company, sole-machine. (A. A. Ball, jun.)
- No. 25414.—United Shoe Machinery Company, boot pressure-machine. (E. N. Preble.)
- No. 25415.—United Shoe Machinery Company, lasting-machine. (W. O. Wheeler, E. E. Winkley, and J. C. Smith.)
- No. 25416.—United Shoe Machinery Company, boot-machine. (K. Engel and L. M. Brown.)
- No. 25417.—United Shoe Machinery Company, sole-trimming machine. (W. G. Eaton.)
- No. 25420.—F. F. Porter, breaking-down and fitching machine.
- No. 25423.—C. H. Mills, wire-strainer.
- No. 25430.—A. S. Duncan, loading, &c., device for disc harrow.
- No. 25432.—R. B. Wight, potato-harvester.
- No. 25436.—D. R. Fisher, linotype machine.
- No. 25437.—S. H. Donkin, pocket.
- No. 25441.—A. J. Baker, tire-pump.
- No. 25444.—W. L. Davidson and J. W. Davidson, tobacco-cutter.
- No. 25445.—C. F. Birch, platform-bracket.
- No. 25446.—J. Jonson, fish-hook.
- No. 25447.—A. M. Grainger, noxious-weeds extractor.
- No. 25448.—A. M. Grainger, rabbit-trap.
- No. 25450.—W. Wilson, acetylene-gas generator.
- No. 25458.—H. H. Leathwick and N. Brooke, pie-dish.
- No. 25461.—H. B. Murray, disposing of dredger-tailings.

[NOTE.—Provisional specifications cannot be inspected, or their contents made known by this office in any way, until the complete specifications in connection therewith have been accepted.]

#### Letters Patent sealed.

LIST of Letters Patent sealed from the 7th to the 26th January, 1909, inclusive:—

- No. 23075.—J. J. Keppel, flax-stripper.
- No. 23528.—E. G. Langton, shirt-cuff fastener, &c.
- No. 23529.—C. R. Skipage, cow-bail.
- No. 23538.—T. F. McGarva, baby-cradle.
- No. 23565.—G. Saunders, threshing-machine wearing-strip.
- No. 23589.—W. H. Cornford, game.
- No. 23591.—E. M. Edkins, saw-bench feeding-mechanism.
- No. 23594.—J. A. Jamieson, ticket-holder.

- No. 23597.—United Shoe Machinery Company, shoe-making apparatus. (A. Bates.)
- No. 23605.—G. H. Fraser, crushing-machine.
- No. 23652.—E. J. Gee, sun-blind.
- No. 23667.—P. R. Hughes, bale, &c., hoisting and stacking apparatus.
- No. 23708.—J. Williams, propeller-shaft bearing.
- No. 24242.—W. P. Rough, carburetter.
- No. 24645.—O. J. Seehausen, gas-manufacture.
- No. 24711.—F. S. Greer, visible-gas manufacture.
- No. 24818.—J. F. Brady, turbine.
- No. 24842.—J. Moffat, gate.
- No. 24875.—J. C. Preston, incandescent oil-lamp.
- No. 24985.—W. Church, bootmaker's measure.
- No. 24986.—W. Church, feet, last, &c., measure.
- No. 25022.—C. H. R. Paul, pressing and ironing machine.
- No. 25023.—E. P. S. McPharlin, fencing-wire fastener.

*Erratum.*

In *Gazette* No. 105, of the 23rd December, 1908, "No. 23455" should read "No. 23435."

**Letters Patent on which Fees have been paid.**

[NOTE.—The dates are those of the payments.]

**SECOND-TERM FEES.**

- N**O. 18637.—H. Walters and J. A. Appleton, anti-fouling composition. 15th January, 1909.
- No. 18698.—D. W. Starrett, compressed-air pump. 18th January, 1909.
- No. 18855.—A. G. B. Williams, basting-apparatus. 15th December, 1908.
- No. 19179.—R. Temple, pneumatic tool. 12th January, 1909.
- No. 19180.—R. Temple, pneumatic tool. 12th January, 1909.

**THIRD-TERM FEES.**

- No. 14410.—The New Gutta-percha Company, Limited, gutta-percha substitute. (A. Gentzsch.) 9th January, 1909.
- No. 14429.—Window-glass Machine Company, glass-article manufacture. (J. A. Chambers—J. H. Lubbers.) 14th January, 1909.

**Request for Correction of Clerical Error in Application for Letters Patent.**

- N**O. 24959.—G. Harker, fumigating and disinfecting ships, &c. (Advertised in Supplement to *New Zealand Gazette*, No. 85, of the 29th October, 1908.)
- (1.) In line 18, page 3, to alter the word "bisulphate" to "disulphide."
- (2.) In lines 7 and 17 page 2, line 20 page 3, and line 22 page 7, to alter the word "bisulphide" to "disulphide."

**Request for Correction of Clerical Error in Application for Letters Patent allowed.**

**T**HE request to correct clerical error in application for Letters Patent No. 25184 (advertised in Supplement to *New Zealand Gazette*, No. 100, of the 10th December, 1908) has been allowed.

**Subsequent Proprietors of Letters Patent registered.**

[NOTE.—The name of the former proprietor is given in brackets; the date is that of registration.]

**N**O. 17315.—United Shoe Machinery Company, of Paterson, in the State of New Jersey, in the United States of America, a corporation duly organized under the laws of said State of New Jersey, and having a place of business at 205 Lincoln Street, in Boston, in the Commonwealth of Massachusetts, in the said United States of America, channel-flap-laying machine. (J. B. Hadaway.) 12th January, 1909.

No. 23527.—Samuel Joel Hale and James Mitchell Hale, both of Rotorua, New Zealand, Plumbers, registered as proprietors for part of New Zealand for three years from the 24th December, 1908, acetylene-generator. (G. L. Burton.) 19th January, 1909.

No. 23594.—Notification of agreement entered on the register between John Andrew Jamieson, and the Mayor, Councillors, and Citizens of the City of Wellington, constituted under "The Municipal Corporations Act, 1900," having its registered office at the Town Hall, Wellington, ticket holder or grip. (J. A. Jamieson.) 20th January, 1909.

No. 24752.—Edith Alice Robin, of His Majesty's Arcade, Auckland, New Zealand, spinster, skirt-cutting chart. (A. F. Billing.) 23rd January, 1909.

**Applications for Letters Patent abandoned.**

**L**IST of applications, with which provisional specifications only have been filed, abandoned (*i.e.*, complete specifications not lodged) from the 12th to the 25th January, 1909, inclusive:—

- No. 24125.—H. Burrows, desiccated-egg manufacture.
- No. 24128.—D. Mulcahy, ticket-issuing cabinet. (W. Watts.)
- No. 24134.—G. J. Brown, feed-bag.
- No. 24137.—J. Mackey, tongs.
- No. 24140.—E. Henshall and W. E. S. Ramsay, cow-bail.
- No. 24148.—A. Gillies, teat-cup.
- No. 24149.—L. Marks, cloth-stretcher.
- No. 24151.—J. Betty, window-lock.
- No. 24152.—J. Betty, gate-latch.
- No. 24153.—R. Luke, surface-dresser for seed-sowing.
- No. 24154.—W. G. Richardson, flax-stripper.
- No. 24157.—J. Welsh, soap-saver.
- No. 24158.—T. C. Morris, grate.
- No. 24162.—H. B. Courtis, carburetter.
- No. 24166.—J. Mitchell, wall, &c.
- No. 24167.—H. N. Bagnall, anti-rattler for window.
- No. 24168.—B. S. and J. H. Nicholls, cooking-range.
- No. 24170.—W. Sim, milking-machine.
- No. 24176.—J. Peacock, tin-saving appliance.
- No. 24177.—A. Philpott, milk-cooler.
- No. 24183.—G. T. Coombes, velocipede.
- No. 24184.—W. W. Callender, wheel.

*Erratum.*

In *Gazette* No. 4, of 14th January, 1909, the entry "No. 24058, H. Quartier, umbrella," was wrongly added to the list of applications abandoned.

**Applications for Letters Patent void.**

**A**PPPLICATIONS for Letters Patent, with which complete specifications have been lodged, void owing to non-acceptance of such complete specifications, from the 12th to the 25th January, 1909, inclusive:—

- No. 23593.—A. Warren, preventing vehicle running backward.
- No. 23637.—H. W. Downing, construction of saddletree.

**Applications for Letters Patent lapsed.**

**A**PPPLICATIONS for Letters Patent lapsed, owing to Letters Patent not being sealed, from the 12th to the 25th January, 1909, inclusive:—

- No. 23041.—Lamb and Todd, Limited, curtain-displaying apparatus. (T. H. White.)
- No. 23129.—F. H. Frankland, closet-disinfectant.
- No. 23136.—A. Billens, sheep-marking device.
- No. 23141.—F. J. Jackson, hydraulic ram.
- No. 23179.—R. M. Clark, dish-washing machine.
- No. 23197.—E. J. Kee, cultivator.

**Letters Patent void.**

**L**IST of Letters Patent void through non-payment of renewal fees, and through expiry of term of fourteen years, from the 12th to the 25th January, 1909, inclusive:—

**THROUGH NON-PAYMENT OF SECOND-TERM FEES.**

- No. 16927.—J. Mackay, ambulance-lift.
- No. 18583.—J. Hayward, flushing-cistern.
- No. 18584.—E. J. Swyny and S. G. Plucknett, ore-separator, &c.
- No. 18585.—E. J. Swyny and S. G. Plucknett, concentrator.
- No. 18586.—E. J. Swyny and S. G. Plucknett, slimes, tailings, &c., treatment.
- No. 18597.—J. Smail, water-tube boiler.
- No. 18599.—Positive Rotary Pumps, Limited, rotary pump. (F. W. Brackett.)
- No. 18601.—A. L. J. Tait, flax dressing apparatus.
- No. 18602.—G. W. Darvall, bottle-stopper, measure, and eye-bath.

- No. 18603.—J. Russell, rounding, chamfering, &c., cask-heads.  
 No. 18605.—H. Symes, elevator for minerals, &c.  
 No. 18608.—C. P. Parkerson, receptacle for perishable condiments, &c.  
 No. 18610.—W. C. Johnson and G. C. Pearson, percussion rock-drill.  
 No. 18611.—E. G. Fletcher, cash-register.  
 No. 18612.—J. Harding, cheese-making apparatus.  
 No. 18619.—H. Seifert, flax-machine.  
 No. 18621.—P. Davis, clothes-straining, &c., appliance.  
 No. 18623.—W. S. Simpson, bicycle-propeller.  
 No. 18628.—W. F. Dugins, tobacco-pipe.  
 No. 18629.—W. F. Dugins, match-box and tobacco-cutter.  
 No. 18632.—J. G. Grimsley, fire-extinguisher.  
 No. 18635.—F. Mercer, pneumatic sole, &c.  
 No. 18640.—L. T. Reichel, wind and water motor.  
 No. 18642.—A. and W. Ross, binder-twine.  
 No. 18644.—W. E. Walker, ventilating-sash.  
 No. 18649.—W. M. Pritchard and J. S. Boyle, heat-resisting boot-sole.  
 No. 18652.—A. McColl, rectifying defects in timber veneers.  
 No. 18654.—J. W. Wrigley, fixing iron roofing.  
 No. 18671.—J. W. and G. W. Ferguson, brick-making machine.  
 No. 20166.—J. R. Hatmaker, dry sugar and milk compound.

THROUGH NON-PAYMENT OF THIRD-TERM FEES.

- No. 14134.—H. Johnson and G. W. Frier, steel manufacture.  
 No. 14136.—The British Electric and Manufacturing Company, Limited, electric-heating system for cars. (W. E. Hughes—F. C. Newell and E. M. Herr.)  
 No. 14155.—C. A. Lees, music-cabinet. (E. A. Bishop)

THROUGH EXPIRY OF TERM OF FOURTEEN YEARS.

- No. 7374.—O. C. Heiden, gold-extracting apparatus.

THROUGH EXPIRY OF EXTENDED TERM.

- No. 2733.—J. Osborne, well-driver.

Designs registered.

DESIGNS have been registered in the following names on the dates mentioned:—

- Nos. 450, 451, and 452.—John Black, of 203 Karangahape Road, in the City of Auckland, New Zealand. Class 3. 20th January, 1909.  
 No. 453.—John Warin, of Robert Street, Lansdowne, Masterton, New Zealand. Class 3. 18th January, 1909.  
 No. 454.—The Carrara Ceiling Company, Limited, of Wellington South, New Zealand. Class 3. 21st January, 1909.

Designs expired.

THE copyright in the following designs has expired:—

- Nos. 199, 200, and 201.—H. E. Shacklock, Limited, Dunedin, New Zealand, brackets.

Applications for Trade Marks filed.

LIST of applications for registration of Trade Marks filed from the 12th to the 25th January, 1909, inclusive:—

- No. 7776.—12th January.—R. Fewell, Auckland, N.Z. Class 44.  
 No. 7777.—12th January.—T. O'Halloran, Auckland, N.Z. Class 2.  
 No. 7778.—12th January.—Bond and Bell, Auckland, N.Z. Class 42.  
 No. 7779.—12th January.—Bond and Bell, Auckland, N.Z. Class 42.  
 No. 7780.—12th January.—J. Worsnop, Auckland, N.Z. Class 47.  
 No. 7781.—12th January.—E. T. Marler, London, Eng. Class 39.  
 No. 7782.—12th January.—H. and G. Klotz and Cie (Ed. Pinaud), Paris, France. Class 48.  
 No. 7783.—12th January.—Eagle Pencil Company, New York, U.S.A. Class 39.

- No. 7784.—13th January.—Pearson's Antiseptic Company, Limited, London, Eng. Class 2.  
 No. 7785.—13th January.—Pearson's Antiseptic Company, Limited, London, Eng. Class 3.  
 No. 7786.—14th January.—Murray, Roberts, and Co., Wellington, N.Z. Class 2.  
 No. 7787.—14th January.—G. A. Findlay and Co., Dunedin, N.Z. Class 38.  
 No. 7788.—16th January.—J. Kitchen and Sons, Limited, Melbourne, Vic. Class 47.  
 No. 7789.—16th January.—J. Kitchen and Sons, Limited, Melbourne, Vic. Class 47.  
 No. 7790.—16th January.—J. Kitchen and Sons, Limited, Melbourne, Vic. Class 48.  
 No. 7791.—18th January.—Kempthorne, Prosser, and Co.'s New Zealand Drug Company, Limited, Dunedin, N.Z. Class 48.  
 No. 7792.—18th January.—Kempthorne, Prosser, and Co.'s New Zealand Drug Company, Limited, Dunedin, N.Z. Class 48.  
 No. 7793.—18th January.—Kempthorne, Prosser, and Co.'s New Zealand Drug Company, Limited, Dunedin, N.Z. Class 48.  
 No. 7794.—19th January.—W. H. Hazard, Auckland, N.Z. Class 8.  
 No. 7795.—19th January.—Parke, Davis, and Co., Sydney, N.S.W. (H. Owen, Christchurch, N.Z.) Class 3.  
 No. 7796.—19th January.—Franz Hartman, Sinalco Aktiengesellschaft, Detmold, Germany. Class 42.  
 No. 7797.—19th January.—Franz Hartman, Sinalco Aktiengesellschaft, Detmold, Germany. Class 42.  
 No. 7798.—19th January.—Franz Hartman, Sinalco Aktiengesellschaft, Detmold, Germany. Class 42.  
 No. 7799.—19th January.—Franz Hartman, Sinalco Aktiengesellschaft, Detmold, Germany. Class 42.  
 No. 7800.—19th January.—United Shoe Machinery Company. Class 6.  
 No. 7801.—19th January.—United Shoe Machinery Company. Class 12.  
 No. 7802.—The Paraffine Paint Company, San Francisco, U.S.A. Class 17.  
 No. 7803.—20th January.—Maling and Co., Limited, Christchurch, N.Z. Class 3.  
 No. 7804.—21st January.—H. Berry and Co., Christchurch, N.Z. Class 42.  
 No. 7805.—25th January.—The Great Northern Brewery, Limited, Auckland, N.Z. Class 44.

Applications for Registration of Trade Marks.

Patent Office,  
 Wellington, 27th January, 1909.

APPLICATIONS for registration of the following Trade Marks have been received. Notice of opposition to the registration of any of these applications may be lodged at this office within two months of the date of this Gazette. Such notice must be in duplicate and accompanied by a fee of £1.

No. of application: 7509.

Date: 13th August, 1908.

TRADE MARK.



The applicants claim that the said trade mark has been used by them and their predecessors in business in respect of the said goods since upwards of thirty years last past.

NAME.

KAYSER, ELLISON, AND Co., LIMITED, of Carlisle Works, Sheffield, England, Manufacturers.

No. of class: 13.

Description of goods: Metal goods not included in other classes, but excluding capsules.

No. of application : 7718.  
Date : 3rd December, 1908.

TRADE MARK.



The essential particulars of this trade mark are the representation of a tiger and the combination of devices; and any right to the exclusive use of the added matter, except the word "Union," is disclaimed.

NAME.

UNION BAG AND PAPER COMPANY, a corporation organized and existing under the laws of the State of New Jersey, and having a place of business at Jersey City, in the said State of New Jersey, United States of America.

No. of class : 39.  
Description of goods : Paper bags.

No. of application : 7719.  
Date : 3rd December, 1908.

TRADE MARK.



The essential particulars of this trade mark are the word "Tiger" and the combination of devices; and any right to the exclusive use of the added matter, except the word "Union," is disclaimed.

NAME.

UNION BAG AND PAPER COMPANY, a corporation organized and existing under the laws of the State of New Jersey, and having a place of business at Jersey City, in the said State of New Jersey, United States of America.

No. of class : 39.  
Description of goods : Paper bags.

No. of application : 7720.  
Date : 4th December, 1908.

TRADE MARK.



made by the Nuns of Yaldajov, Servia. WESTALL GUEST, Windsor, Vic., Sole Agent for Australasia.

The essential particulars of this trade mark are the combination of devices, including the representation of a nun, and an oval with a cross in the centre and the letters S.O.Y.S. in the four quarters of same respectively, and the word "Sacred"; and applicant disclaims any right to the exclusive use of the added matter, save and except his trading name and address.

NAME.

H. WESTALL GUEST, of Windsor, Victoria, in the Commonwealth of Australia, Skin Specialist.

No. of class : 48.  
Description of goods : Perfumery (including toilet articles, preparations for the teeth and hair, and perfumed soap).

No. of application : 7780.  
Date : 15th December, 1908.

TRADE MARK.

The words "CHERRY BLOSSOM."

NAME.

CHISWICK SOAP COMPANY, of The Chiswick Soap-works, Burlington Lane, Chiswick, in the County of Middlesex, England, Soap and Polish Manufacturers.

No. of class : 50.  
Description of goods : Boot-polishes.

(NOTE.—This application is regazetted on account of a clerical error in the former notice.)

No. of application: 7731.

Date: 15th December, 1908.

TRADE MARK.



NAME.

WAIKARAPAPA FARMERS' CO-OPERATIVE ASSOCIATION, LIMITED, of 176 and 178 Lambton Quay, Wellington, in the Dominion of New Zealand, Grocers and Italian Warehousemen.

No. of class: 47.

Description of goods: Candles, common soap, matches, starch, blue, benzine, kerosene, methylated spirits.

No. of application: 7732.

Date: 15th December, 1908.

TRADE MARK.

(The mark as shown in preceding notice, No. 7731.)

NAME.

WAIKARAPAPA FARMERS' CO-OPERATIVE ASSOCIATION, LIMITED, of 176 and 178 Lambton Quay, Wellington, in the Dominion of New Zealand, Grocers and Italian Warehousemen.

No. of class: 42.

Description of goods: Dried fruits, tea, pickles, vinegar, pepper, baking-powder, butter, culinary essences.

(By consent.)

No. of application: 7744.

Date: 19th December, 1908.

TRADE MARK.



The essential particulars of this trade mark are the combination of devices with a representation of a pheasant and the word "Pheasant"; and applicant disclaims any right to the exclusive use of the added matter, save and except his name and address.

NAME.

WILLIAM HENRY HAZARD, of Queen Street, Auckland, in the Dominion of New Zealand, Merchant.

No. of class: 4.

Description of goods: Raw or partly prepared vegetable, animal, and mineral substances used in manufacture, not included in other classes, such as resins, oils used in manufacture and not included in other classes, dyes other than mineral, tanning substances, fibrous substances (e.g., cotton, hemp, flax, jute), wool, silk, bristles, hair, feathers, cork, seeds, coal, coke, bone, sponge.

No. of application: 7746.

Date: 19th December, 1908.

TRADE MARK.

(The mark as shown in preceding notice, No. 7744.)

The essential particulars of this trade mark are the combination of devices with a representation of a pheasant and the word "Pheasant"; and applicant disclaims any right to the exclusive use of the added matter, save and except his name and address.

NAME.

WILLIAM HENRY HAZARD, of Queen Street, Auckland, in the Dominion of New Zealand, Merchant.

No. of class: 19.

Description of goods: Arms, ammunition, and stores, not included in Class 20, such as cannon, small arms, fowling-pieces, swords, shot, and other projectiles, camp equipage, equipments, camp-beds, air-rifles, air-pistols, cleaning-rods, camp-chairs, camp-tables, gun and rifle cleaning and preserving preparations, rifle requisites, such as sight-paints, sight-protectors, recoil pads, cartridge-bags, game-bags, gun cases or covers, miniature rifles, targets (iron, wood, card, or paper), powder-measures, bullet-moulds, converting-tubes, air-pistols, air-rifles, cartridge-cases, revolver-holsters, cartridge-belts, belts, slings, bags, &c.

No. of application: 7747.

Date: 19th December, 1908.

TRADE MARK.

(The mark as shown in preceding notice No. 7744.)

The essential particulars of this trade mark are the combination of devices with a representation of a pheasant and the word "Pheasant"; and applicant disclaims any right to the exclusive use of the added matter, save and except his name and address.

NAME.

WILLIAM HENRY HAZARD, of Queen Street, Auckland, in the Dominion of New Zealand, Merchant.

No. of class: 20.

Description of goods: Explosive substances, such as gun-powder, gun-cotton, dynamite, fog-signals, percussion caps, fireworks, cartridges.

No. of application: 7748.

Date: 19th December, 1908.

TRADE MARK.

(The mark as shown in preceding notice No. 7744.)

The essential particulars of this trade mark are the combination of devices with a representation of a pheasant and the word "Pheasant"; and applicant disclaims any right to the exclusive use of the added matter, save and except his name and address.

NAME.

WILLIAM HENRY HAZARD, of Queen Street, Auckland, in the Dominion of New Zealand, Merchant.

No. of class: 37.

Description of goods: Leather, skins unwrought and wrought, and articles made of leather not included in other classes, such as saddlery, harness, whips, portmanteaux, furs, leather goods.

No. of application : 7750.  
Date : 19th December, 1908.

TRADE MARK.

(The mark as shown in preceding notice No. 7744.)

The essential particulars of this trade mark are the combination of devices with a representation of a pheasant and the word "Pheasant"; and applicant disclaims any right to the exclusive use of the added matter, save and except his name and address.

NAME.

WILLIAM HENRY HAZARD, of Queen Street, Auckland, in the Dominion of New Zealand, Merchant.

No. of class : 49.

Description of goods : Games of all kinds and sporting articles not included in other classes, such as billiard-tables, roller-skates, fishing nets and lines, toys, boxing-gloves, live and inanimate pigeon-traps, decoy-ducks, duck-calls, ferret-muzzles, pocket tool-kits, drinking-cups, rod timber, artificial flies, landing-nets and handles, lead wire, traces, casts, fishing-tackle, fishing-rods, fishing-lines, fishing-reels, fishing-spears, fishing-floats, fishing-baskets, fish-hooks, landing-gaffs, landing-gaff handles, landing-gaff hooks, landing-gaff rings, line-driers, artificial baits, artificial-bait boxes, cast-boxes, minnow-boxes, fly and tackle boxes and cases, balances, disgorges, fish-scalers, harpoons, leads, rod-rings.

No. of application : 7759.  
Date : 23rd December, 1908.

TRADE MARK.



NAME.

FRANZ HARTMAN SINALCO-ARTIENGESELLSCHAFT, of Detmold, Germany.

No. of class : 44.

Description of goods : Fruit drinks (aerated and non-alcoholic).

No. of application : 7760.  
Date : 23rd December, 1908.

TRADE MARK.

**Proset**

NAME.

FRANZ HARTMAN SINALCO-ARTIENGESELLSCHAFT, of Detmold, Germany.

No. of class : 44.

Description of goods : Fruit drinks (aerated and non-alcoholic).

No. of application : 7761.  
Date : 23rd December, 1908.

TRADE MARK.

**Sinalco**

NAME.

FRANZ HARTMAN SINALCO-ARTIENGESELLSCHAFT, of Detmold, Germany.

No. of class : 44.

Description of goods : Fruit drinks (aerated and non-alcoholic).

No. of application : 7762.  
Date : 23rd December, 1908.

TRADE MARK.

**Seele**

NAME.

FRANZ HARTMAN SINALCO-ARTIENGESELLSCHAFT, of Detmold, Germany.

No. of class : 44.

Description of goods : Fruit drinks (aerated and non-alcoholic).

No. of application : 7765.  
Date : 29th December, 1908.

TRADE MARK.

The word

**"CHAMPION."**

NAME.

HARDLEY AND HARDLEY, LIMITED, of Auckland, in the Dominion of New Zealand, Manufacturers and Importers.

No. of class : 18.

Description of goods : Engineering, architectural, and building contrivances, such as diving-apparatus, ventilating-apparatus, filtering-apparatus, lighting contrivances, drainage contrivances, electric and pneumatic bells and connections, water supply and works, fittings, and connections.

No. of application : 7771.  
Date : 6th January, 1909.

TRADE MARK.



**NAME.**

HALL, BAYLISS, AND Co., of 66 Hatton Garden, London, England, Manufacturers.

No. of class : 50.

Description of goods : Preparations for cleaning, polishing, and preserving glass and glass goods, china goods, leather goods, canvas goods, metal goods, and wooden goods.

No. of application : 7773.

Date : 7th January, 1909.

**TRADE MARK.**



The essential particular of this trade mark is the distinctive device ; and any right to the exclusive use of the added matter is disclaimed.

**NAME.**

THE CEYLON TEA COMPANY, of corner of Brandon and Featherston Streets, Wellington, in the Dominion of New Zealand.

No. of class : 42.

Description of goods : Tea, coffee, and cocoa.

No. of application : 7774.

Date : 8th January, 1909.

**TRADE MARK.**



The essential particulars of this trade mark are two Maori heads greeting in Native style, with the word "Welcome"; and any right to the exclusive use of the added matter is disclaimed.

**NAME.**

WAIARAPA FARMERS' CO-OPERATIVE ASSOCIATION, LIMITED, of 176 and 178 Lambton Quay, Wellington, in the Dominion of New Zealand, Grocers and Italian Warehousemen.

No. of class : 42

Description of goods : Dried fruits, tea, pickles, vinegar, pepper, baking-powder, butter.

(By consent.)

No. of application : 7775.

Date : 8th January, 1909.

**TRADE MARK.**

(The mark as shown in preceding notice, No. 7774.)

The essential particulars of this trade mark are two Maori heads greeting in Native style, with the word "Welcome"; and any right to the exclusive use of the added matter is disclaimed.

**NAME.**

WAIARAPA FARMERS' CO-OPERATIVE ASSOCIATION, LIMITED, of 176 and 178 Lambton Quay, Wellington, in the Dominion of New Zealand, Grocers and Italian Warehousemen.

No. of class : 47.

Description of goods : Candles, common soap, matches, starch, blue, benzine, kerosene, and methylated spirits.

No. of application : 7778.

Date : 12th January, 1909.

**TRADE MARK.**

The word

**"REGAL."**

**NAME.**

BOND AND BELL, of Commerce Street, Auckland, in the Dominion of New Zealand, General Merchants.

No. of class : 42.

Description of goods : Jelly crystals.

No. of application : 7779.

Date : 12th January, 1909.

**TRADE MARK.**

The word

**"CHOYSA."**

**NAME.**

BOND AND BELL, of Commerce Street, Auckland, in the Dominion of New Zealand, General Merchants.

No. of class : 42.

Description of goods : Tea.

No. of application : 7789.

Date : 12th January, 1909.

**TRADE MARK.**

The word

**"BOSKA."**

**NAME.**

JOSIAH WORSNOP, of 18 Picton Street, Ponsonby, Auckland, in the Dominion of New Zealand, Builder.

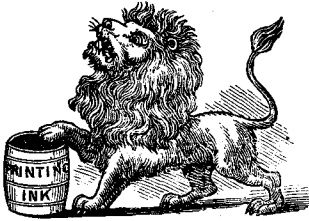
No. of class : 47.

Description of goods : Sand-soap, &c.



No. of application : 7781.  
Date : 12th January, 1909.

TRADE MARK.



The essential particular of this trade mark is the lion standing with one paw on the drum or barrel; and any right to the exclusive use of the added matter is disclaimed.

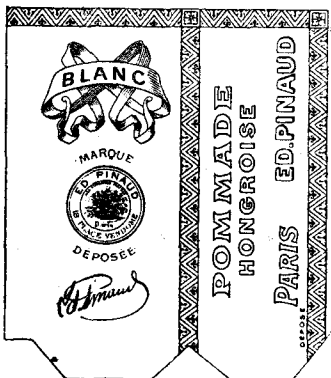
NAME.

EDWIN THOMAS MARLER, of 14 Charles Street, Hatton Garden, London E.C., England, Manufacturer.

No. of class : 39.  
Description of goods : Printing-ink.

No. of application : 7782.  
Date : 12th January, 1909.

TRADE MARK.



The essential particular of this trade mark is the distinctive label.

NAME.

H. AND G. KLOTZ AND CIE, trading as "Ed. Pinaud," of 18 Place Vendôme, Paris, France, Perfumers.

No. of class : 48.  
Description of goods : A toilet preparation.

No. of application : 7783.  
Date : 12th January, 1909.

TRADE MARK.

**ORLOFF**

NAME.

EAGLE PENCIL COMPANY, of 377 and 379 Broadway, New York, in the United States of America, and 14 Fore Street, in the City of London, England, Manufacturers.

No. of class : 39.  
Description of goods : Pencils.

No. of application : 7784.  
Date : 13th January, 1909.

TRADE MARK.

**HYCOL**

NAME.

PEARSON'S ANTISEPTIC COMPANY, LIMITED, of 15 Elm Street, Gray's Inn Road, London, England, Disinfectant Merchants.

No. of class : 2.  
Description of goods : A disinfectant for use for agricultural, horticultural, veterinary, and sanitary purposes.

No. of application : 7785.  
Date : 13th January, 1909.

TRADE MARK.

**CARYOSOL**

NAME.

PEARSON'S ANTISEPTIC COMPANY, LIMITED, of 15 Elm Street, Gray's Inn Road, London, England, Disinfectant Merchants.

No. of class : 3.  
Description of goods : A chemical substance prepared for use in medicine and pharmacy.

No. of application : 7786.  
Date : 14th January, 1909.

TRADE MARK.

The words  
"ECLIPSE BASIC SLAG."

The essential particular of this trade mark is the word "Eclipse"; and any right to the exclusive use of the added matter is disclaimed.

NAME.

MURRAY, ROBERTS, AND CO., of Featherston Street, Wellington, in the Dominion of New Zealand.

No. of class : 2.  
Description of goods : Basic slag.

No. of application : 7788.  
Date : 16th January, 1909.

TRADE MARK.

The word  
"VENUS."

NAME.

J. KITCHEN AND SONS, LIMITED, of 10 and 12 Queen Street, Melbourne, in the State of Victoria, Commonwealth of Australia.

No. of class : 47.  
Description of goods : Soap.

No. of application: 7789.  
Date: 16th January, 1909.

TRADE MARK.  
The word  
"APOLLO."

NAME.  
J. KITCHEN AND SONS, LIMITED, of 10 and 12 Queen Street, Melbourne, in the State of Victoria, Commonwealth of Australia.

No. of class: 47.  
Description of goods: Soap.

No. of application: 7790.  
Date: 16th January, 1909.

TRADE MARK.  
The word  
"SALVATANA."

NAME.  
J. KITCHEN AND SONS, LIMITED, of 10 and 12 Queen Street, Melbourne, in the State of Victoria, Commonwealth of Australia.

No. of class: 48.  
Description of goods: Soaps.

No. of application: 7794.  
Date: 19th January, 1909.

TRADE MARK.  
(The mark as shown in preceding notice No. 7744.)

The essential particulars of this trade mark are the combination of devices, with a representation of a pheasant and the word "Pheasant"; and applicant disclaims any right to the exclusive use of the added matter, save and except his name and address.

NAME.  
WILLIAM HENRY HAZARD, of Queen Street, Auckland, in the Dominion of New Zealand, Merchant.

No. of class: 8.  
Description of goods: Philosophical instruments, scientific instruments, and apparatus for useful purposes, instruments and apparatus for teaching, such as mathematical instruments, gauges, logs, spectacles, including shooting orthoptic spectacles, field-glasses and telescopes, and educational appliances.

No. of application: 7795.  
Date: 19th January, 1909.

TRADE MARK.  
The word  
"LACTONE."

NAME.  
H. OWEN (representing Parke, Davis, and Co., Sydney), of Windsor Terrace, Christchurch, in the Dominion of New Zealand.

No. of class: 3.  
Description of goods: Butter-milk tablets, consisting of a pure culture of lactic-acid bacilli.

No. of application: 7796.  
Date: 19th January, 1909.

TRADE MARK.



NAME.  
FRANZ HARTMAN SINALCO-AKTIENGESELLSCHAFT, of Detmold, Germany, Manufacturers of Fruit Drinks.

No. of class: 42.  
Description of goods: Non-aerated non-alcoholic fruit drinks.

No. of application: 7797.  
Date: 19th January, 1909.

TRADE MARK.  
Seele

NAME.  
FRANZ HARTMAN SINALCO-AKTIENGESELLSCHAFT, of Detmold, Germany, Manufacturers of Fruit Drinks.

No. of class: 42.  
Description of Goods: Non-aerated non-alcoholic fruit drinks.

No. of application: 7798.  
Date: 19th January, 1909.

TRADE MARK.

**Proset**

NAME.

FRANZ HARTMAN SINALCO-AKTIENGESELLSCHAFT, of Detmold, Germany, Manufacturers of Fruit Drinks.

No. of class: 42.

Description of goods: Non-aerated non-alcoholic fruit drinks.

No. of application: 7799.  
Date: 19th January, 1909.

TRADE MARK.

**Sinalco**

NAME.

FRANZ HARTMAN SINALCO-AKTIENGESELLSCHAFT, of Detmold, Germany, Manufacturers of Fruit Drinks.

No. of class: 42.

Description of goods: Non-aerated non-alcoholic fruit drinks.

J. C. LEWIS,  
Registrar.

Trade Marks registered.

LIST of Trade Marks registered from the 12th to the 27th January, 1909, inclusive:—

- No. 5992/7385.—J. Woodrow and Sons, Limited. Class 38. (*Gazette* No. 91, of the 12th November, 1908.)
- No. 5993/7536.—Gallaher, Limited. Class 45. (*Gazette* No. 85, of the 29th October, 1908.)
- No. 5995/7526.—New Zealand Provision and Produce Company. Class 47. (*Gazette* No. 75, of the 1st October, 1908.)
- No. 5996/7638.—C. H. Matthews. Class 49. (*Gazette* No. 85, of the 29th October, 1908.)
- No. 5997/7530.—Hughes and Cossar. Class 42. (*Gazette* No. 72, of the 17th September, 1908.)
- No. 5998/7097.—Agricultural and Pastoral Food Company, Limited. Class 2. (*Gazette* No. 10, of the 6th February, 1908.)
- No. 5999/7162.—R. Reid. Class 47. (*Gazette* No. 10, of the 6th February, 1908.)

- No. 6000/6693.—Hovis Bread-flour Company, Limited. Class 42. (*Gazette* No. 91, of the 12th November, 1908.)
- No. 6001/7583.—Tonkin and Co. Class 42. (*Gazette* No. 71, of the 12th November, 1908.)
- No. 6002/7607.—D. J. Barry. Class 43. (*Gazette* No. 91, of the 12th November, 1908.)
- No. 6003/7579.—E. B. Dufaur. Class 42. (*Gazette* No. 79, of the 15th October, 1908.)

Subsequent Proprietors of Trade Marks registered.

[NOTE.—The name of the former proprietor is given in brackets; the date is that of registration.]

- NOS. 88/2237, 162/121, 163/122, 851/669, 1209/926, 2208/1748, 2975/2340, 3056/2392, 3295/2583, 4543/3557, 5692/4480, 6257/4397, 6384/5013.—Reckitts (Oversea), Limited, whose registered office is situate in Dansom Lane, Kingston-upon-Hull, England. (Reckitt and Sons, Limited.) 11th January, 1909.
- No. 89/1782 (two marks).—William Broster and Company, Limited, whose registered office is situated at Waterloo Mills, Leek, in the County of Stafford, England. (H. Kent.) 19th January, 1909.
- Nos. 951/741 and 5159/4068.—Frederick Hall, John Lamb Wilkie, John Lamb Wilkie the younger, and David Reid Wilkie, all of Dunedin, New Zealand, Millers, who constitute the firm and trade under the name or style of Wilkie and Co. (Nimmo and Blair.) 16th January, 1909.
- No. 7060/5782.—A. C. Barnes Company, a corporation organized under the laws of the State of Pennsylvania, of 24 North 40th Street, Philadelphia, State of Pennsylvania, United States of America, Manufacturing Chemists. (Barnes and Hille.) 19th January, 1909.

Trade Mark Renewal Fees paid.

FEES paid for the renewal of the undermentioned Trade Marks for fourteen years from the date first mentioned:—

- No. 1357/1239.—18th January, 1909.—William Rainbow, of Christchurch, New Zealand. 19th January, 1909.
- Nos. 1360/1101 and 1361/1102.—18th January, 1909.—Vinolia Company, Limited (incorporated 1899), of London, England. 13th January, 1909.
- Nos. 1375/1064, 1376/1065, 1377/1066, 1378/1067, 1379/1068, 1380/1069, and 1381/1070.—5th February, 1909.—James Inglis and Co., Sydney, New South Wales. 20th January, 1909.
- No. 1383/1099.—8th February, 1909.—The Kaikoura Co-operative Dairy Company, Limited, Kaikoura, New Zealand. 13th January, 1909.
- No. 1409/1082.—6th March, 1909.—D. H. Ross, Auckland, New Zealand. 18th January, 1909.

Trade Marks removed from the Register.

TRADE Marks removed from the Register owing to the non-payment of the renewal fee, from the 12th to the 25th January, 1909, inclusive:—

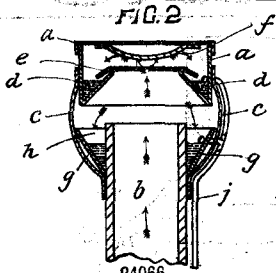
- No. 1275/986.—12th October, 1894.—The Crown Dairy Factory Company of New Plymouth, New Zealand. Class 42.
- No. 1280/984.—22nd October, 1894.—W. H. Day, of Greytown North, New Zealand, Storekeeper. Class 42.
- No. 1284/1055.—24th October, 1894.—P. Reimer, of Wellington, New Zealand, Wine and Spirit Merchant. Class 43.
- No. 1288/1031.—25th October, 1894.—J. Bain, of Riverdale, New Zealand, Farmer, and W. H. Chamberlain, of Nelson, Compositor. Class 42.
- No. 1289/985.—25th October, 1894.—Mendelsohn, Levinsohn, and Co., of Dunedin, New Zealand, Tobacco, Cigar, and General Merchants. Class 50.

By Authority: JOHN MACKAY, Government Printer, Wellington.

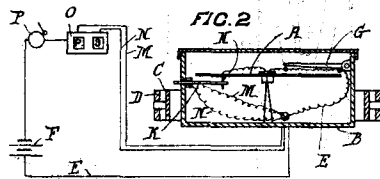


# ILLUSTRATIONS OF INVENTIONS.

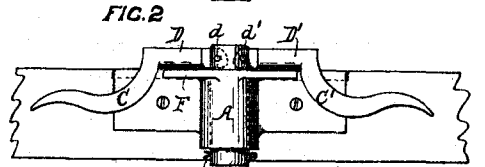
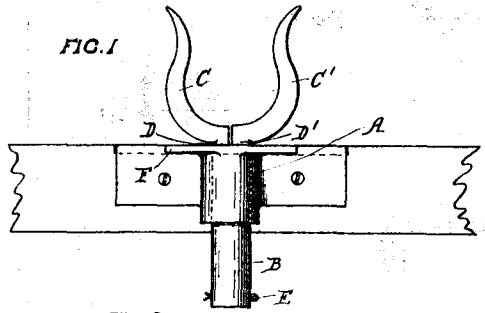
[These illustrations refer to the complete specifications accepted, and advertised in this Gazette.]



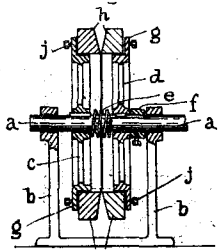
24066  
Tacon. Spark-arrester.



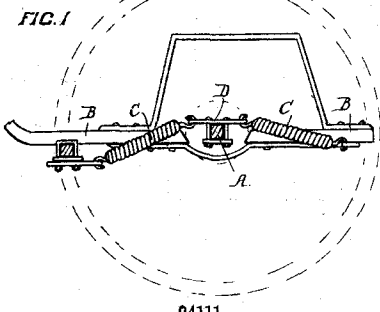
23972  
Swindley. Compass.



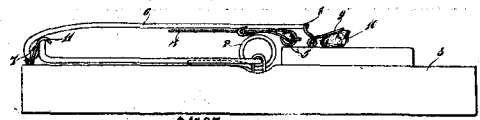
23973  
Millar. Rowlock.



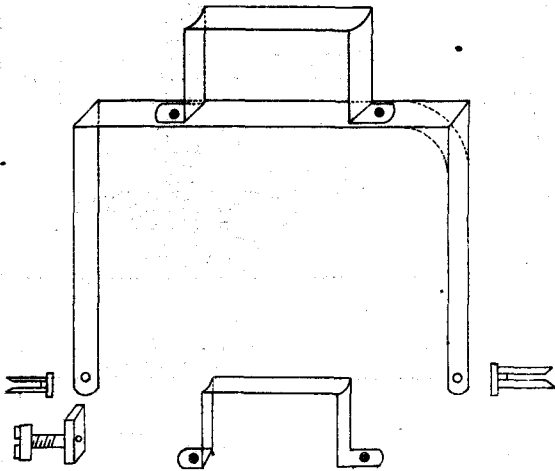
23749  
Dreadon. Grindstone.



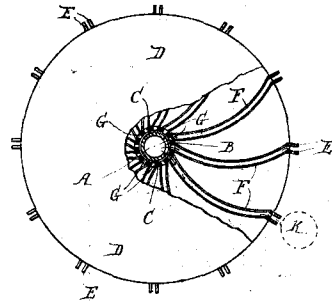
24111  
Bredehorst. Spring Cart.



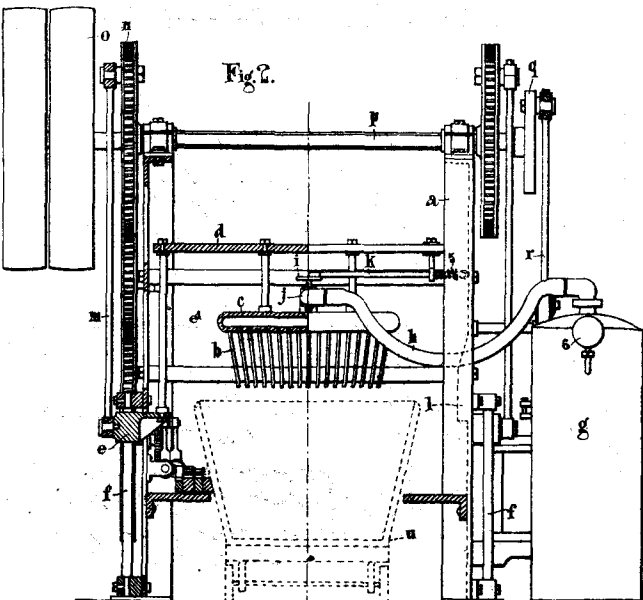
24197  
Stephens. Rat-trap.



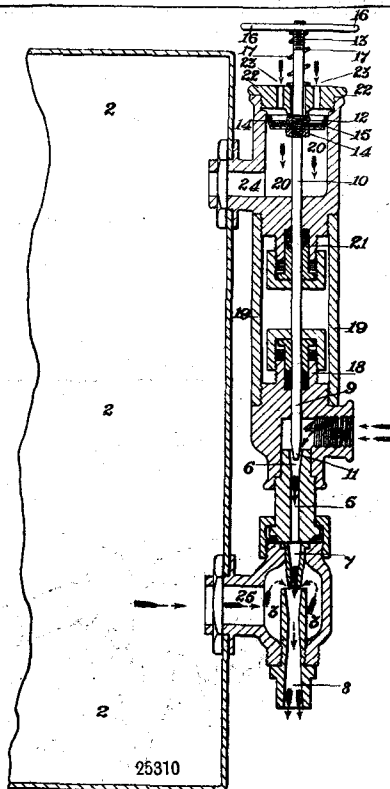
24105  
Murray. Bucket-handle.



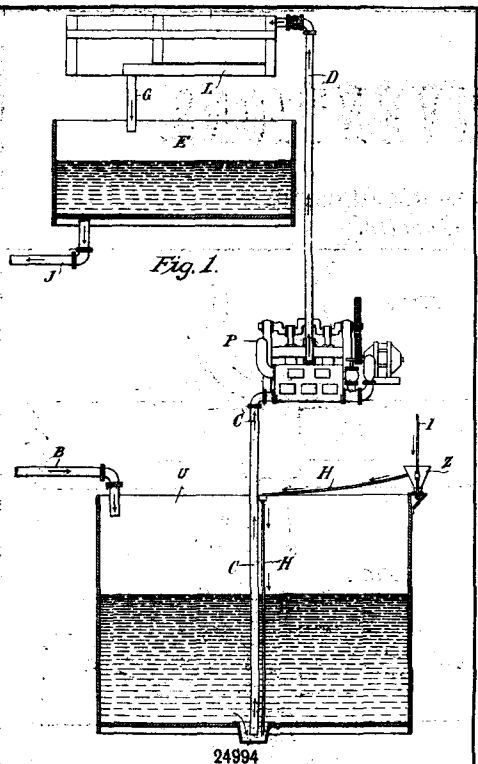
25337  
Nicholson. Flax-stripper.



25311  
Lunt. Bread Manufacture.

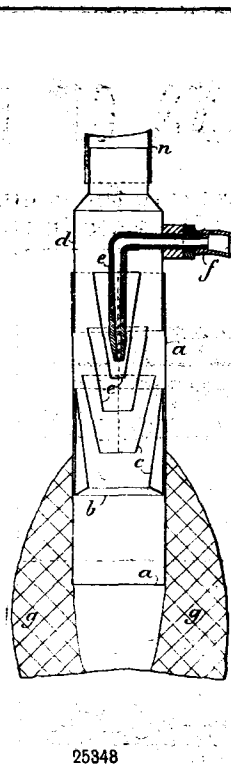


25310  
Blackham. Ejector-governor.



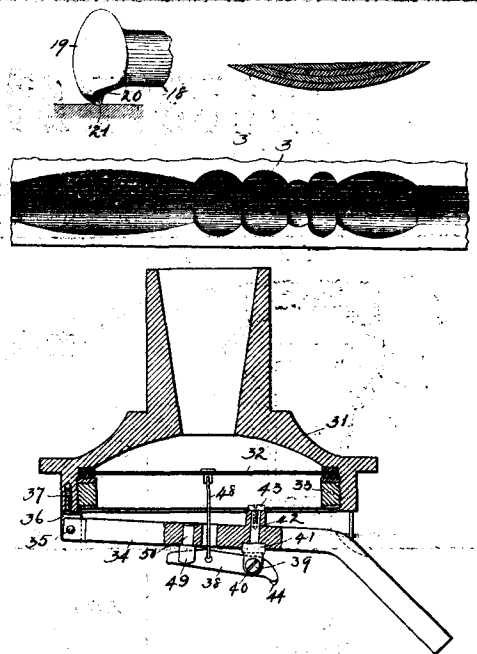
24994

Merrill. Precipitating and Recovering Materials from Solutions



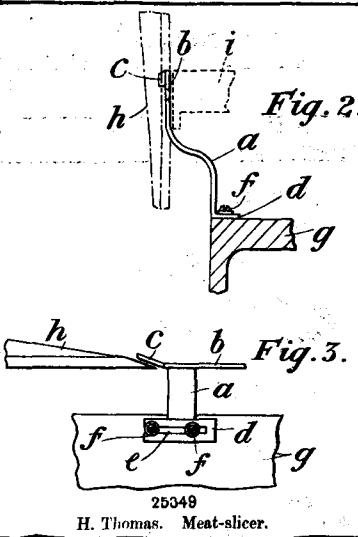
25348

Waechter-Gerber. Vacuum-cleaner.



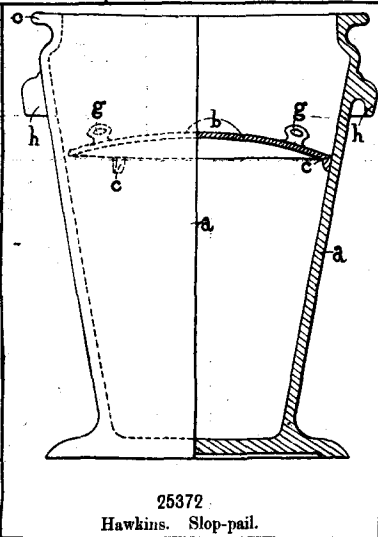
25418

Waters. Phonograph. (New Jersey Patent Co.—T. A. Edison, H. T. Oliver, and P. Weber.)



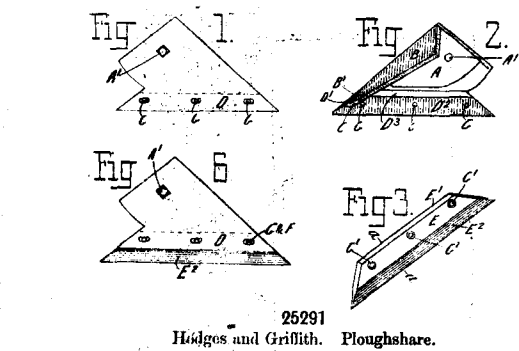
25349

H. Thomas. Meat-slicer.



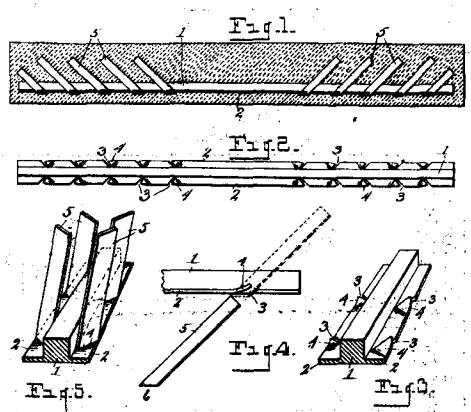
25372

Hawkins. Slop-pail.



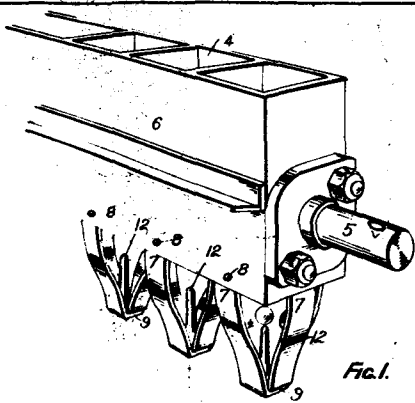
25291

Hodges and Griffith. Ploughshare.



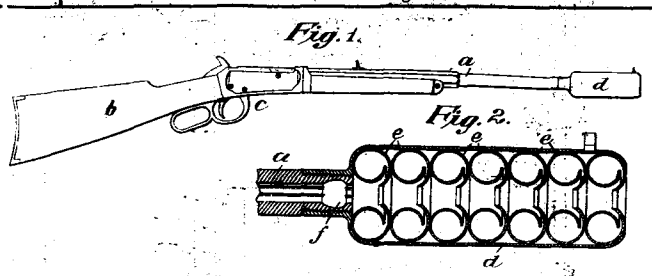
25874

Thomas. Reinforcing-bar.



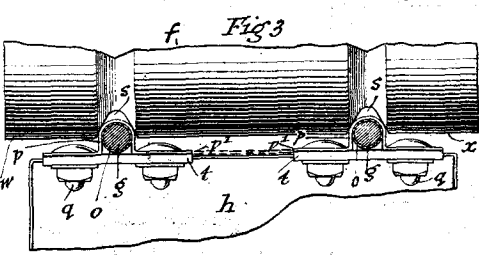
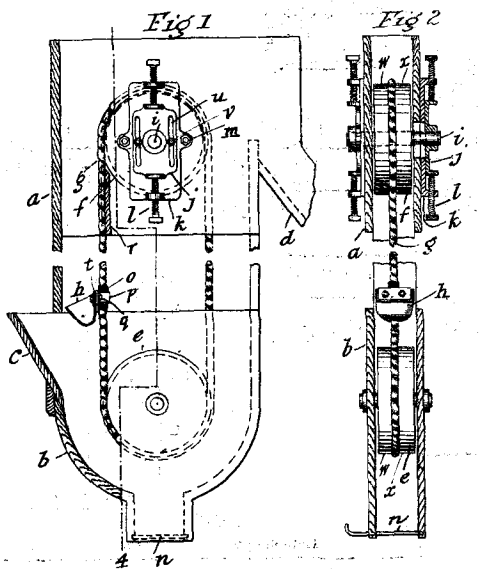
25513

Forrest. Bottle-rack.

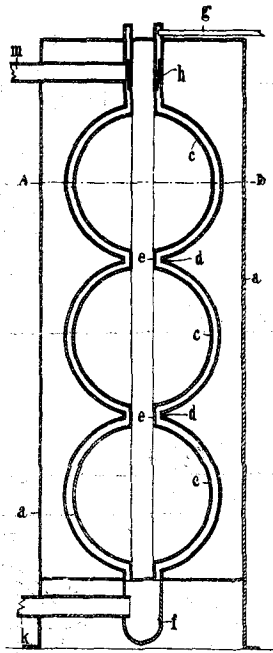


25373

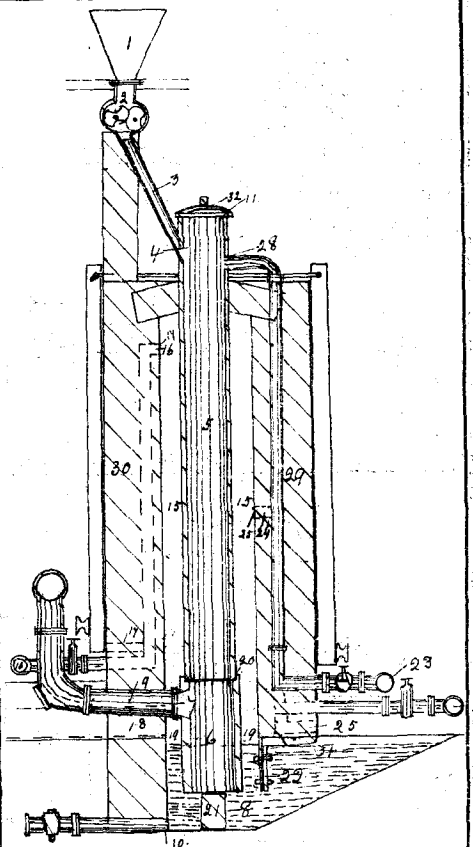
Maxim Silent Firearms Co. Gun-discharge Silencer. (Maxim.)



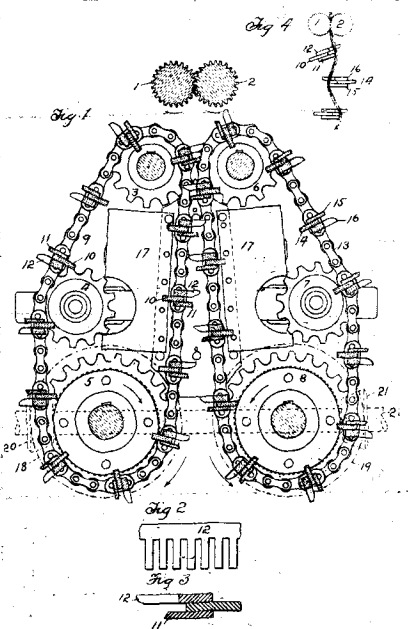
25173 Cooper and White. Elevator.



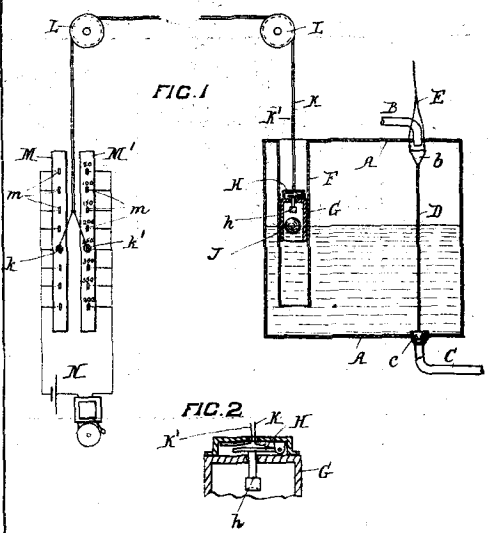
25346 H. E. Smith. Carburetter.



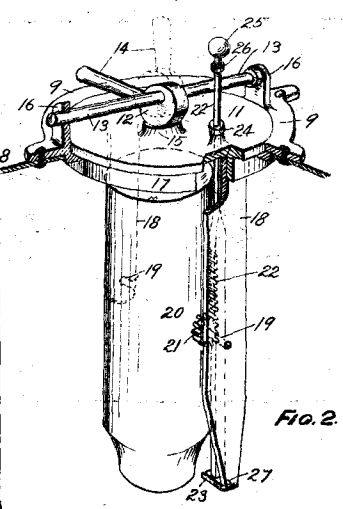
24394 Williams. Gas Manufacture.



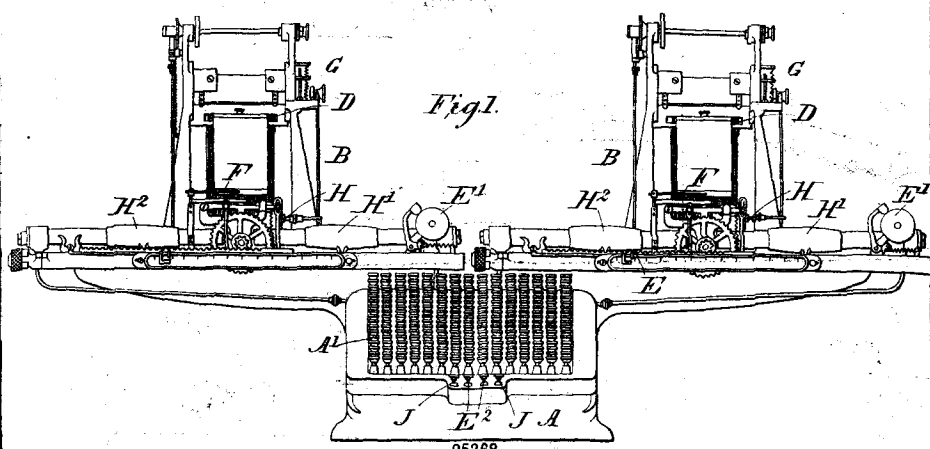
25151 Toles. Fibre-cleaner.



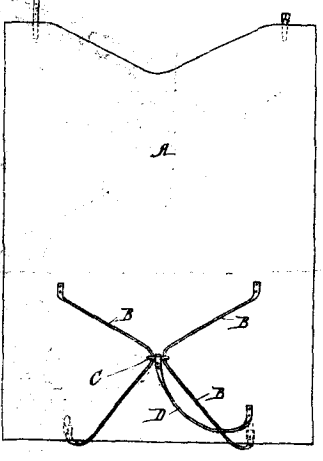
25319 White, Baker, and Jackson. Liquid Measurer and Deliverer.



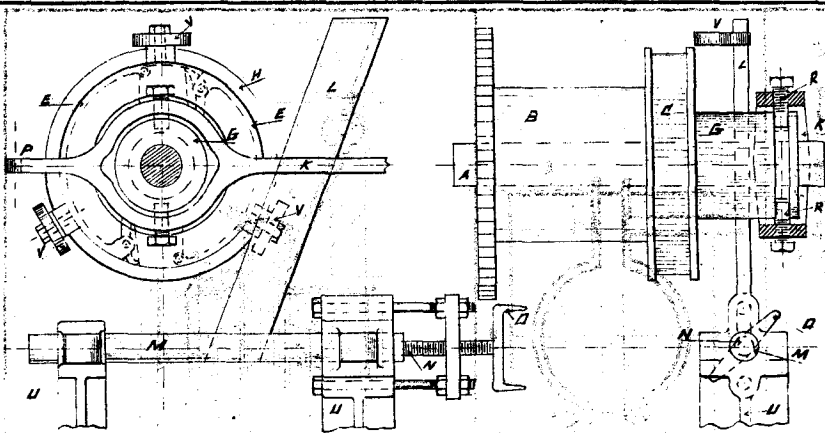
25332 Ewing. Fire-extinguisher.



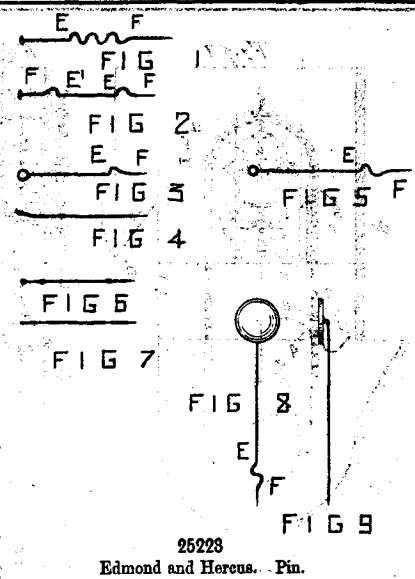
25368 Monotype Machine (Colonial Patents) Syndicate, Limited. Multiplex-composing Mechanism. (Baneroff).



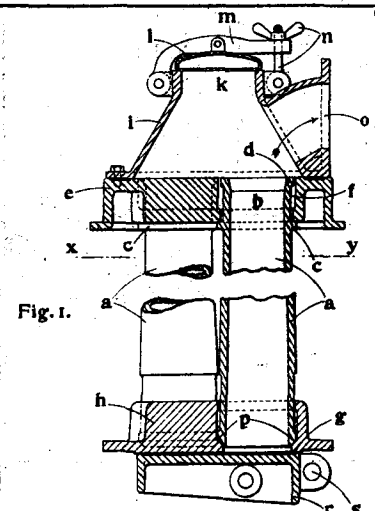
24450 Woolley. Animal-cover.



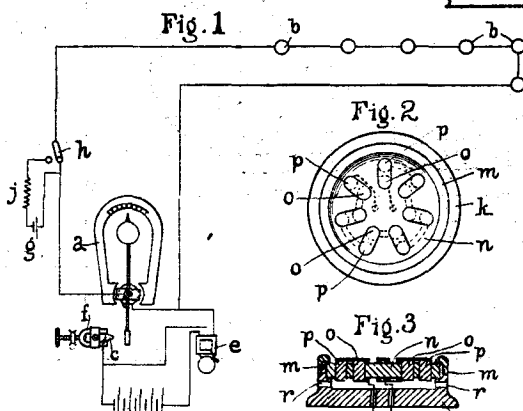
25837  
D. and G. Gilberd. Friction-clutch Appliance.



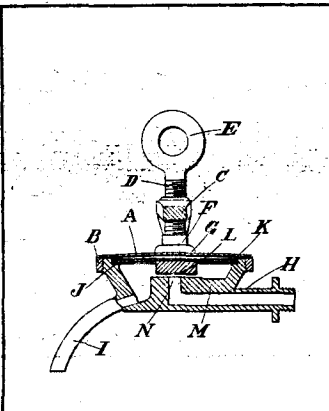
25223  
Edmond and Hercus. Pin.



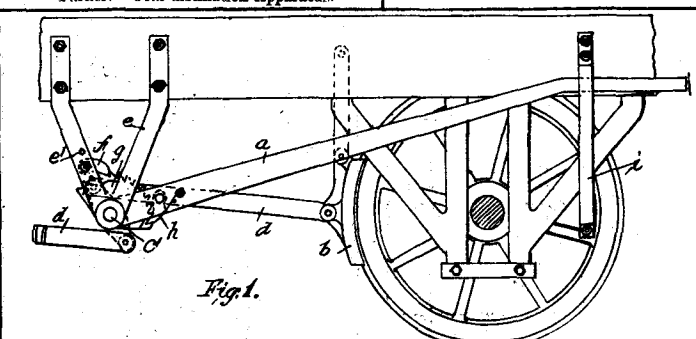
25806  
Parker. Coal-distillation Apparatus.



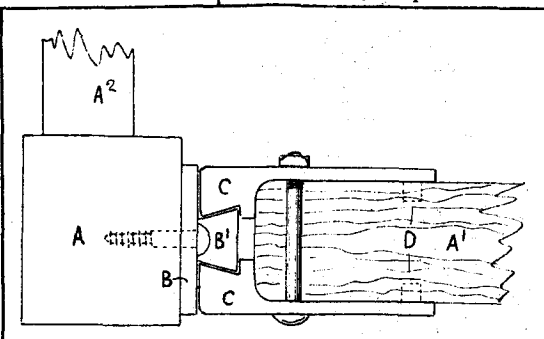
24249  
L. T. and E. T. Reichel. Fire-alarm.



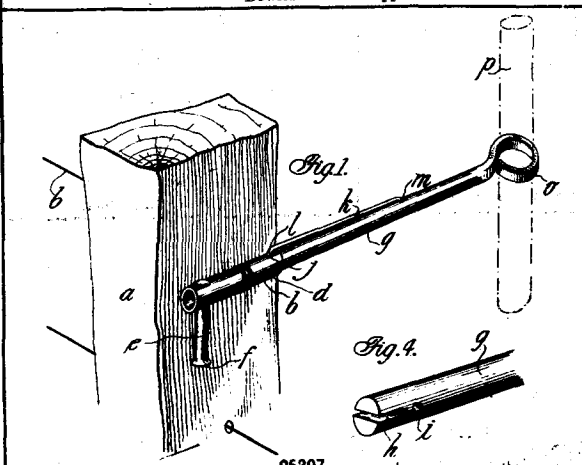
25809  
Raby. Tap.



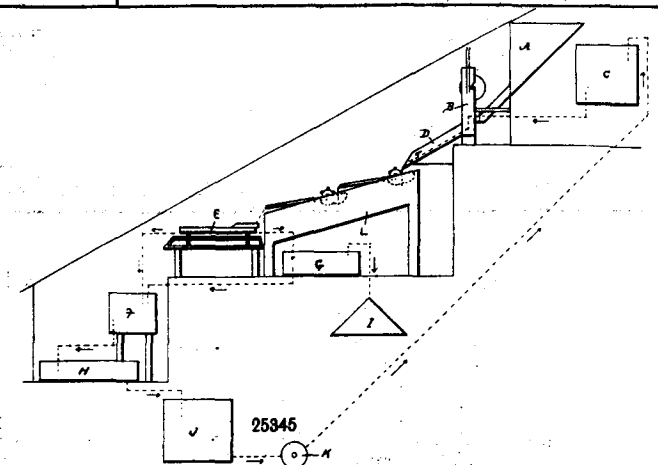
25290  
Bowles. Brake Apparatus.



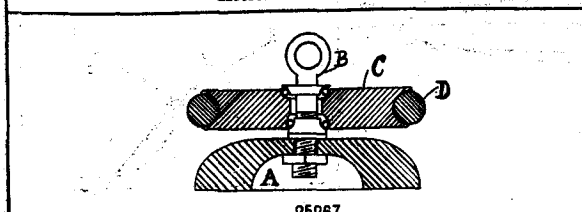
25321  
Nees. Metal Coupling.



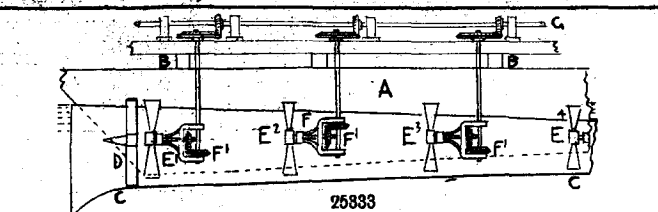
25307  
Moore. Wire-strainer.



25845  
Imley. Metal-extractor.



25267  
Gray. Billiard Cushion.



25883  
Carr and Spooner. Current-motor.